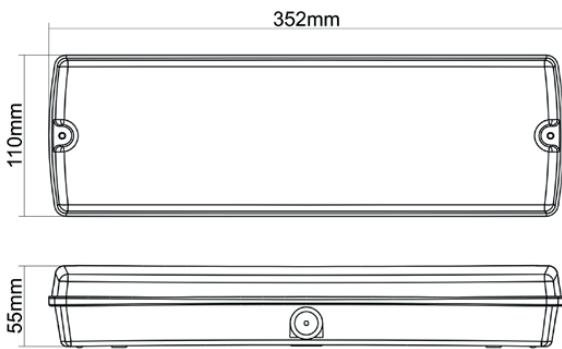
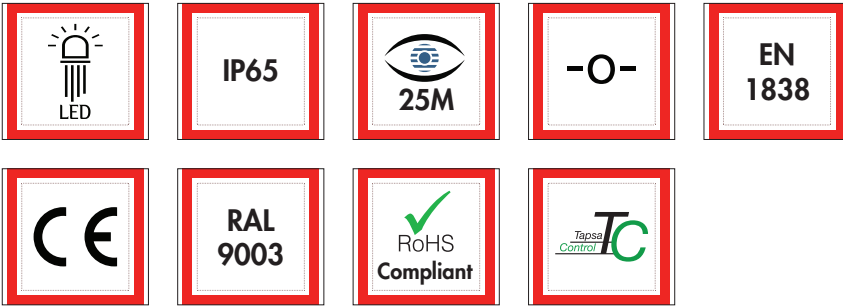


**ESC091 1L-S**  
Exit Luminaires



**Pictograms options available:**  
(Pls specify at the time of order)



<b>Key Features</b>	
Certified to CE Norms	
Polycarbonate body and diffuser	
Uses highly active LED light source	
High brightness and long life	
Economical, Reliable and Safe	
Easy to install and maintain	
Rated to IP65	
Wall Mount	
Ideal for Residences & Commercial Complexes	

<b>Technical Details</b>	
Supply Voltage	220-240V AC/DC; 50-60Hz
Input Wattage	2W
Emergency Mode	Slave - Central Battery Supplied Luminaire with in-built Teknoware addressable module
Light Source	LED
Color Temperature	6500K
Operating Temperature	0° to 50°C
Viewing Distance	25m
Material	Polycarbonate body with diffuser
Dimensions (mm)	352 X 110 X 218
IP Rating	IP65