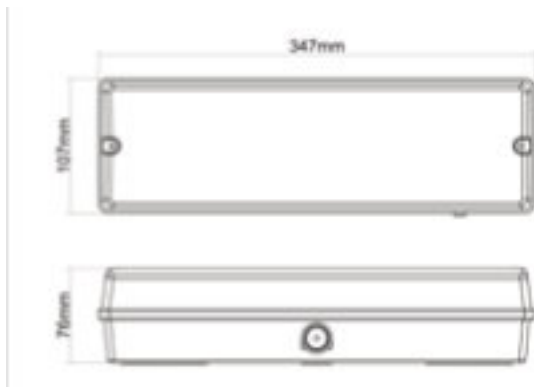
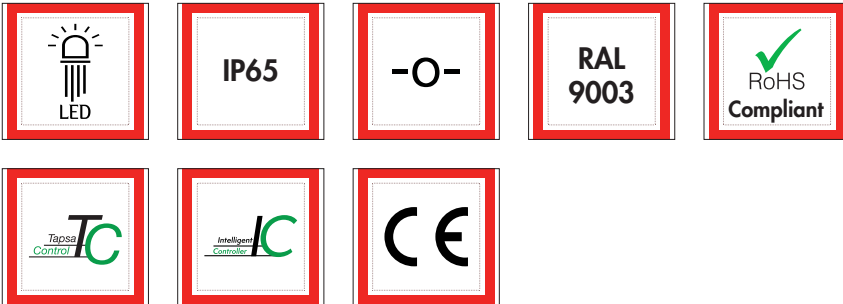


ESC0942L-S Emergency Luminaires



Key Features

Certified to CE Norms
Polycarbonate body and diffuser
Uses highly active LED light source
High brightness and long life
Economical, Reliable and Safe
Easy to install and maintain
Rated to IP65
Wall / Ceiling and Surface mounting options
Ideal for Residences & Commercial Complexes

Technical Details

Supply Voltage	220-240V AC/DC; 50-60Hz
Input Wattage	3W
Emergency Mode	Slave - Central Battery Supplied Luminaire with in-built Teknoware addressable module
Light Source	LED
Color Temperature	6500K
Operating Temperature	0° to 40° C
Material	Polycarbonate body and diffuser
Dimensions (mm)	347 X 107 X 76
Lumen Output	290lm