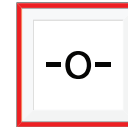
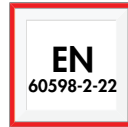


TWX9951WK

Linespot II Lowbay Emergency Lighting



Check Youtube for installation video



SYSTEM DESCRIPTION



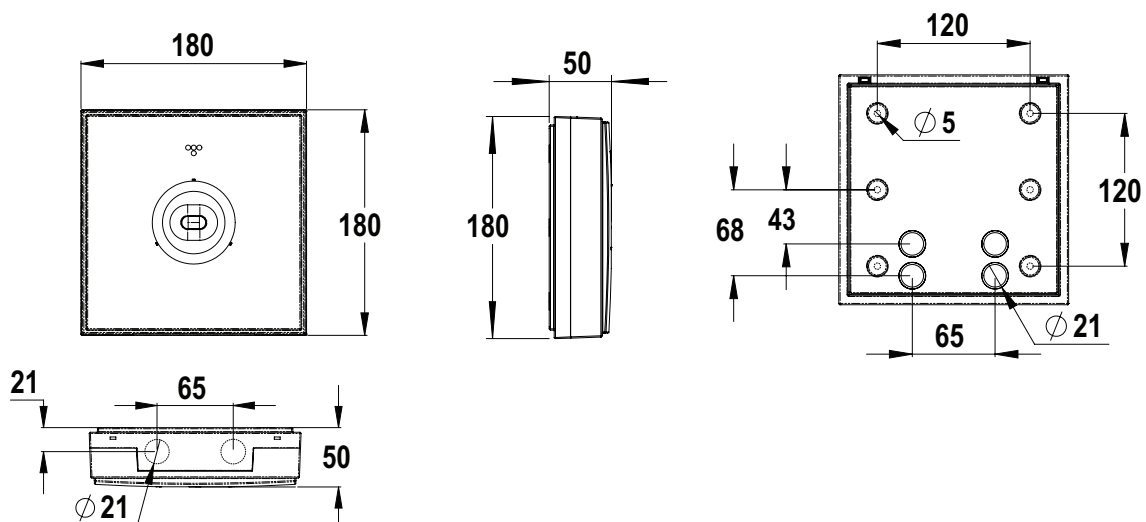
Linespot II Lowbay is surface mounted emergency light for 2-4 meter high areas. Luminaire makes use of LED technology. Its optics is designed to give a long and narrow light pattern that illuminates corridors and escape routes efficiently.

Thanks to the IP44 enclosure class Linespot II is also suitable for damp locations. Linespot II is easy and fast to install thanks to a separate mounting base, which is also connected to the power supply.

KEY FEATURES:

- Surface mounted light designed for installations in areas of 2 - 4 M height.
- LED technology with optics designed to provide long and narrow light pattern
- Suitable for damp locations
- Easy and fast installation thanks to a separate mounting base

DIMENSIONS



TWX9951WK

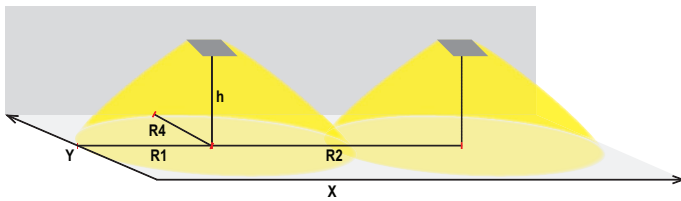
Linespot II Lowbay Emergency Lighting

Product Code	Nominal Supply Voltage	Maximum Input Power	Luminous Flux (lm)	Operation Mode	Temperature Range	Electrical Installation	Weight (kg)
TWX9951WK	220-240V, 50/60 Hz AC/DC	10VA/5.5W	230	CBS / C +IC	-30...+50°C	3 x 2.5 mm ² -0-	0.5

LIGHT DISTRIBUTION TABLES:

Emergency Lighting for escape routes (ceiling mounted)

- Table of 1 lux for escape routes in the middle line according to the norm EN1838
- Level of measurement 0.02m, measurement result with battery operation



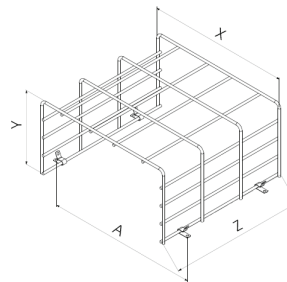
- R1 distance from wall (X Axis)
- R2 installation distance between lights (X Axis)
- R4 distance from wall (Y Axis)

TWX9951WK

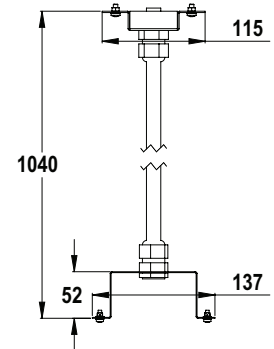
Mounting Height (m)	Below The Light (lux)	R1 (m)	R2 (m)	R4 (m)
		1 lux	1 lux	1 lux
2.5	6.4	8	19.5	1
4	2.5	9	24	1

ACCESSORIES

Product Code	Description
TW77504F	Suspension Bracket
TW77507B	Shock Protecting Cover (Dimensions X=320; Y=165; Z=305; A=340)



Shock Protecting Cover
TW77507B



Suspension Bracket
TW77504F