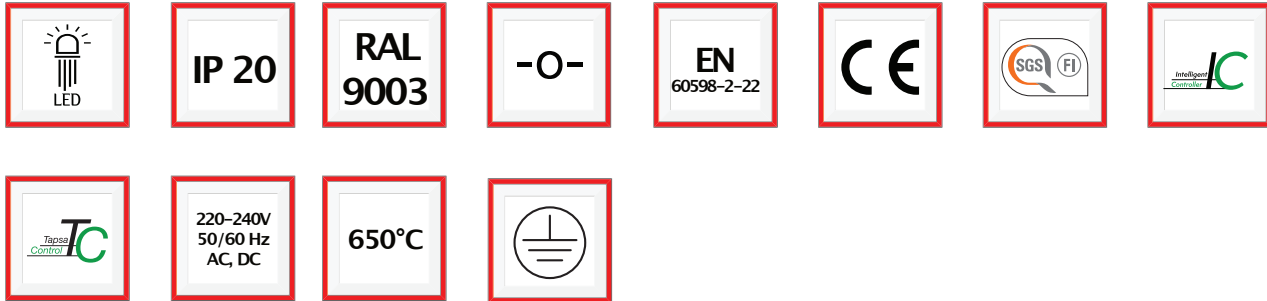


TWX1351WK & TWX1351WKP SLIMSPOT II LED Emergency Lighting



SYSTEM DESCRIPTION:



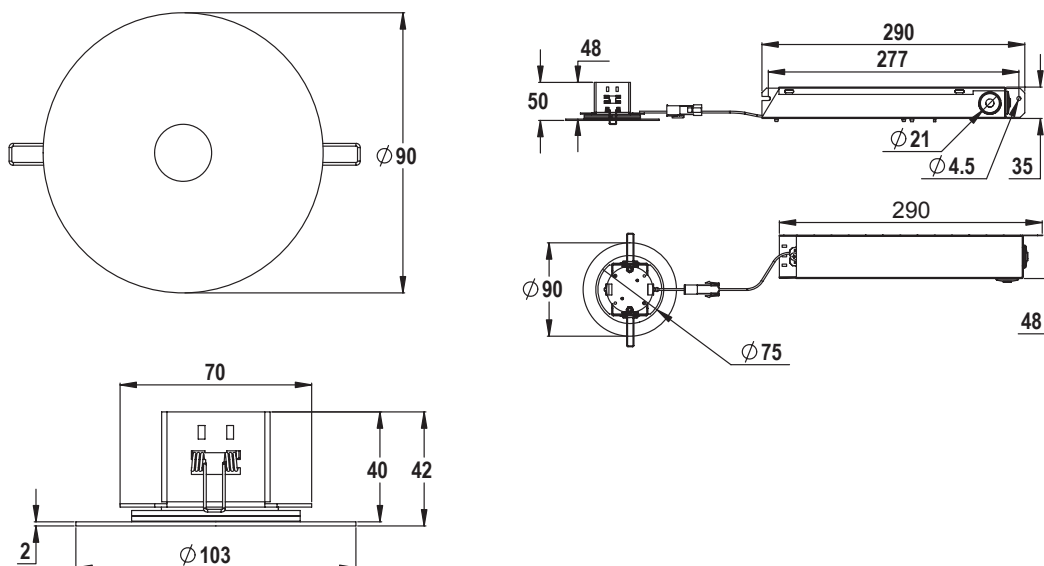
Slimspot II is a recessed LED emergency light, which, thanks to its compact size and straight-line design blends seamlessly into the roof structure. The luminaires do not therefore stand out from the area's architecture.

Slimspot uses the latest LED technology and is an energy efficient emergency light. The optics have been designed in such a way, that the LED luminaire does not have a disturbing bright central point of light.

KEY FEATURES:

- Compact size and straight line design allows it to blend into the area's architecture.
- Uses the latest LED technology and is highly energy efficient.
- Optics designed so as not to have a disturbing bright central point of light.
- Optional phase input available

DIMENSIONS:



TWX1351WK & TWX1351WKP

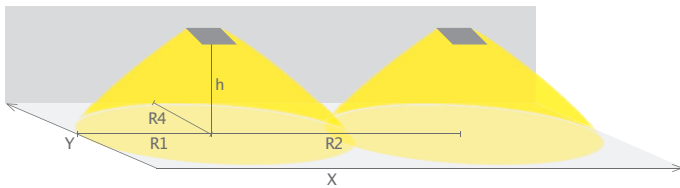
SLIMSPOT II Emergency Lighting

Product Code	Nominal Supply Voltage	Maximum Input Power	Luminous Flux (lm)	Operation Mode	Temperature Range	Electrical Installation	Weight (kg)
TWX1351WK	220-240V, 50/60 Hz AC/DC	13VA/8.5W	465 lm	CBS / C+IC	-30...+50°C	3 x 2.5 mm ² -0-	0.4
TWX1351WKP	220-240V, 50/60 Hz AC/DC	13VA/8.5W	465 lm	CBS / C+IC	-30...+50°C	3 x 2.5 mm ² -0-	0.4

LIGHT DISTRIBUTION TABLES

Emergency Lighting for escape routes (ceiling mounted)

- Table of 1 lux for escape routes in the middle line according to the norm EN1838
- Level of measurement 0.02m, measurement result with battery operation



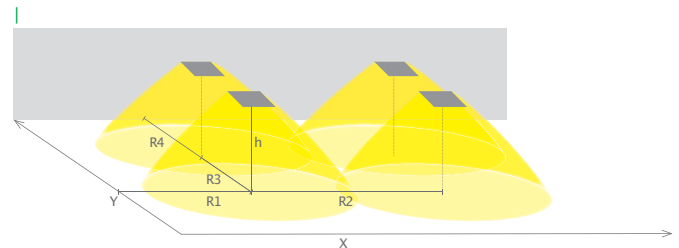
- R1 distance from wall (X axis)
- R2 installation distances between lights (X axis)
- R4 distance between from wall (Y axis)

TWX1351WK

Mounting Height (m)	Below The Light (lux)	R1 (m)	R2 (m)	R4 (m)
		1 lux	1 lux	1 lux
2.5	12	3.5	8	3.5
4	4.8	3.5	9	3.5
6	2	3.5	10	3.5

Emergency Lighting for open routes (ceiling mounted)

- Table of 0.5 lux for open areas according to the norm EN1838. 0.5m edge district is considered in this table.
- Level of measurement 0.02m, measurement result with battery operation.



- R1 distance from wall (X axis)
- R2 installation distances between lights (X axis)
- R3 installation distance between lights (Y axis)
- R4 distance between from wall (Y axis)

TWX1351WK

Mounting Height (m)	Below The Light (lux)	R1 (m)	R2 (m)	R3 (m)	R4 (m)
		0.5 lux	0.5 lux	0.5 lux	0.5 lux
2.5	12	4	7	7	4
4	4.8	4	8	8	4
6	2	4	8	8	4