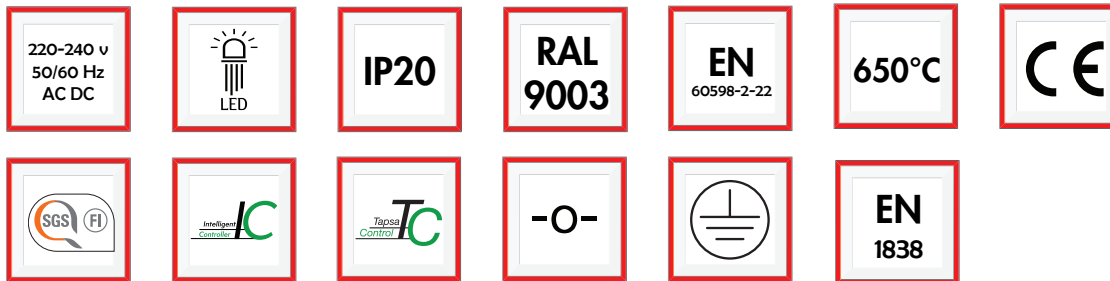


## TWX1151WK & TWX1151WKP SLIMSPOT Emergency Lighting



### SYSTEM DESCRIPTION:

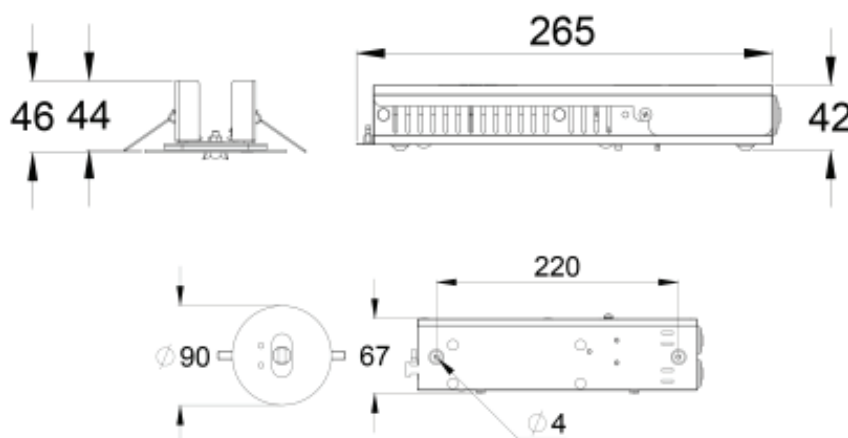
Slimspot II Midbay is a flush mounted emergency lighting for open areas and is suitable for areas with 3-10 meter height. Slimspot II Midbay takes advantage of the latest LED technology and its optics are designed to provide a broad, uniform lighting pattern, that illuminates open areas effectively. Additionally, it also includes an optional phase input.





### KEY FEATURES:

- Optional phase input available
- Suitable for installation in areas with 3-10 meter height
- Uses latest LED technology with the optics designed to give long and a narrow pattern
- Improved optics enables longer distance between luminaires
- Metal construction

### DIMENSIONS:



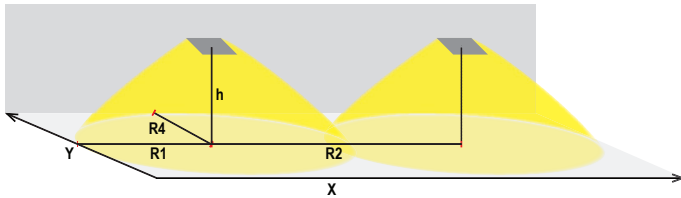
## TWX1151WK & TWX1151WKP SLIMSPOT Emergency Lighting

Product Code	Nominal Supply Voltage	Maximum Input Power	Luminous Flux (lm)	Operation Mode	Temperature Range	Electrical Installation	Weight (kg)
TWX1151WK	220-240V, 50/60 Hz AC/DC	10VA/5.5W	265	CBS / C +IC	-30...+50°C	3 x 2.5 mm <sup>2</sup> -0- 	0.4
TWX1151WKP	220-240V, 50/60 Hz AC/DC	10VA/5.5W	265	CBS / C +IC	-30...+50°C	3 x 2.5 mm <sup>2</sup> -0- 	0.4

### LIGHT DISTRIBUTION TABLES

#### Emergency Lighting for escape routes (ceiling mounted)

- Table of 1 lux for escape routes in the middle line according to the norm EN1838
- Level of measurement 0.02m, measurement result with battery operation



- R1 distance from wall (X Axis)
- R2 installation distance between lights (X Axis)
- R4 distance from wall (Y Axis)

#### TWX1151WK/ TWX1151WKP

Mounting Height (m)	Below The Light (lux)	R1 (m)	R2 (m)	R4 (m)
		1 lux	1 lux	1 lux
2.5	45	5	11	1
3	31	5	11	1
4	17	6.5	15	1
6	7	7	18	1
8	4	8	19	1
10	2	8	20	1