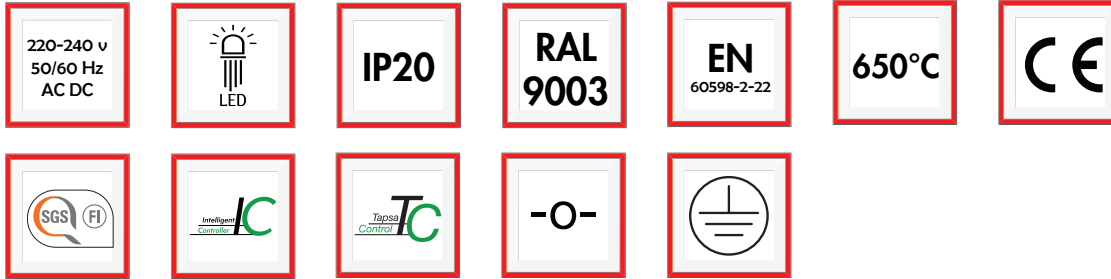


## TWX1251WK & TWX1251WKP SLIMSPOT Emergency Lighting



### SYSTEM DESCRIPTION:

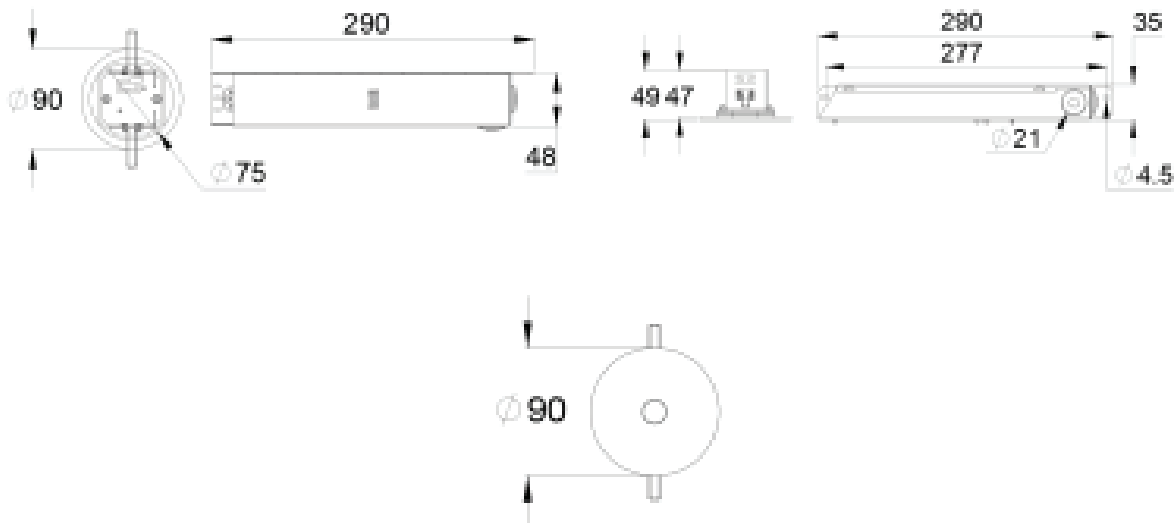


Slimspot II Midbay is a flush mounted emergency lighting for open areas and is suitable for areas with 2-8 meter height. Slimspot II Midbay takes advantage of the latest LED technology and its optics are designed to provide a broad, uniform lighting pattern, that illuminates open areas effectively. Additionally, it also includes an optional phase input.



### KEY FEATURES:

- Optional phase input available
- Suitable for installation in areas with 2-8 meter height
- Uses latest LED technology with the optics designed to give long and a narrow pattern
- Improved optics enables longer distance between luminaires
- Metal construction

### DIMENSIONS:



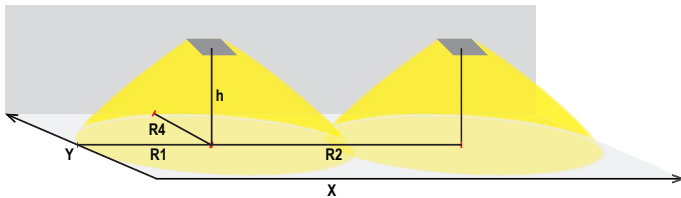
## TWX1251WK & TWX1251WKP SLIMSPOT Emergency Lighting

Product Code	Nominal Supply Voltage	Maximum Input Power	Luminous Flux (lm)	Operation Mode	Temperature Range	Electrical Installation	Weight (kg)
TWX1251WK	220-240V, 50/60 Hz AC/DC	10VA/5.5W	250	CBS / C +IC	-30...+50°C	3 x 2.5 mm <sup>2</sup> -0- 	0.4
TWX1251WKP	220-240V, 50/60 Hz AC/DC	10VA/5.5W	250	CBS / C +IC	-30...+50°C	3 x 2.5 mm <sup>2</sup> -0- 	0.4

### LIGHT DISTRIBUTION TABLES

#### Emergency Lighting for escape routes (ceiling mounted)

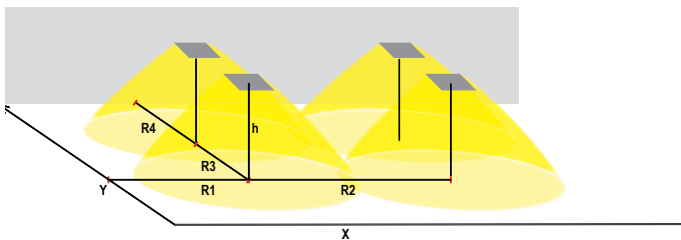
- Table of 1 lux for escape routes in the middle line according to the norm EN1838
- Level of measurement 0.02m, measurement result with battery operation



- R1 distance from wall (X Axis)
- R2 installation distance between lights (X Axis)
- R4 distance from wall (Y Axis)

#### Emergency Lighting for open areas (ceiling mounted)

- Table of 0.5 lux for open areas according to the norm EN1838, 0.5m edge district is considered in the table
- Level of measurement 0.02m, measurement result with battery operation



- R1 distance from wall (X Axis)
- R2 installation distance between lights (X Axis)
- R3 installation distance between lights (Y Axis)
- R4 distance from wall (Y Axis)

#### TWX1251WK

Mounting Height (m)	Below The Light (lux)	R1 (m)	R2 (m)	R4 (m)
		1 lux	1 lux	1 lux
2.5	18	2.5	6	2.5
4	8	3	7.5	3
6	3.5	4	9	4
8	2	5	11	5

#### TWX1251WKP

Mounting Height (m)	Below The Light (lux)	R1 (m)	R2 (m)	R3 (m)	5R4 (m)
		0.5 lux	0.5 lux	0.5 lux	0.5 lux
2.5	18	3	5	5	3
4	8	3.5	6	6	3.5
6	3.5	4.5	8	8	4.5
8	2	5.5	10	10	5.5