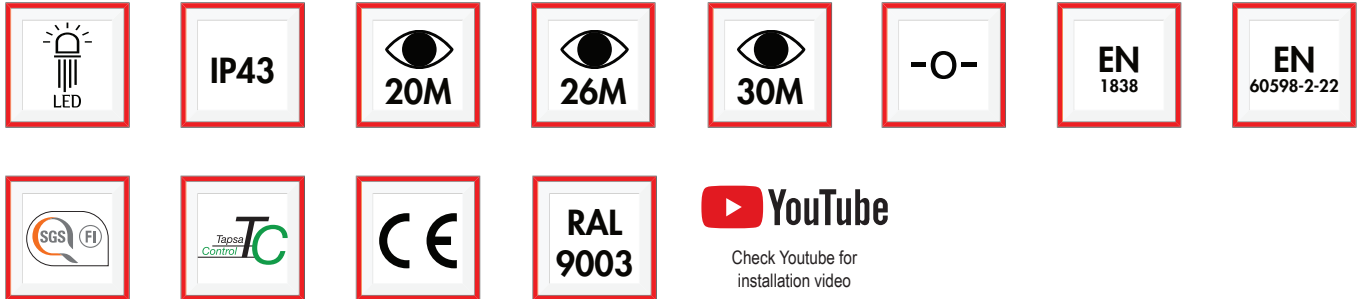


# TWX8051WK

## ESC80 Exit Luminaires



### SYSTEM DESCRIPTION



ESC80 is a LED exit light with a light plate that combines cutting edge technology with modern design. Thanks to Teknoware's innovative electronics and product design, the ESC80 luminaire is a combination of uniformly illuminated pictograms, low power consumption and a slender appearance. Available in three sizes, the ESC80 luminaires are available in both recess and surface options and can be used as 1 or 2 sided.

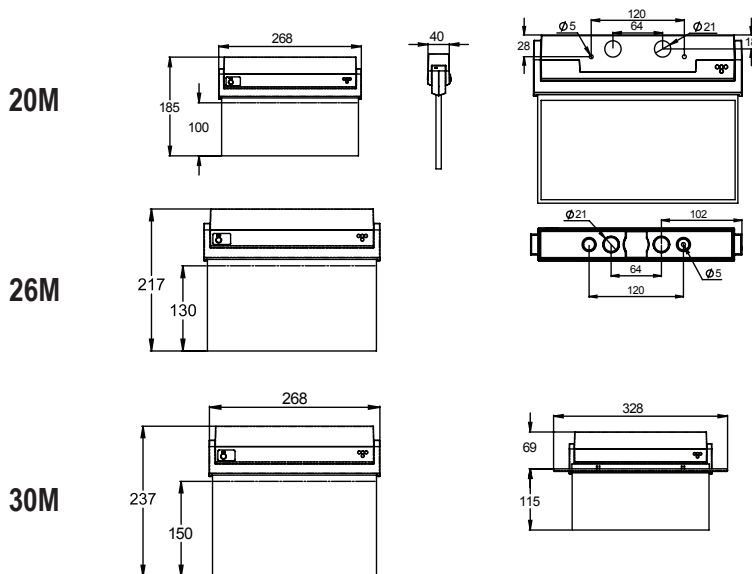
They are easy and fast to install thanks to a separate mounting piece, into which also the power supply is connected.

The TWX8051WKR is dimmed in normal mode to prevent disturbing light from the exit sign in dark environments, such as theaters TWX8051WKB can be set to flashing in case enhanced visibility of the exit sign is required. The flashing feature can be launched from TKX66- & TKX67-range central battery units equipped with Intelligent Controller interface. Light will be permanently on always in case of an emergency.

### KEY FEATURES:

- A combination of cutting edge technology with modern design.
- Combines uniformly illuminated pictograms with low power consumption
- Available in three sizes
- Recess and Surface mounting options available
- Can be used as 1 or 2 sided
- Easy and fast installation

### DIMENSIONS



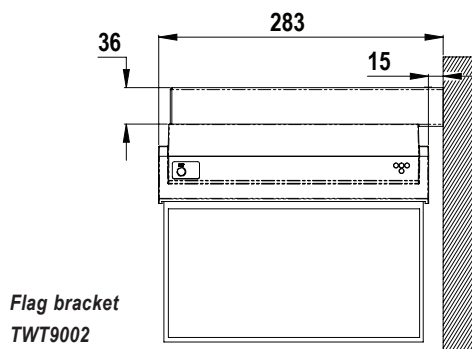
# TWX8051WK

## ESC80 Exit Luminaires

Product code	Nominal supply voltage	Max input power	Operation mode	Temperature range	Electrical installation	Weight (kg)
TWX8051WK	220-240V, 50/60Hz AC/DC	6.6VA   4.2W	CBS / C + IC	-30...+50°C	2/3 x 2.5 mm <sup>2</sup> -0-	0.64
TWX8051WKB	220-240V 50/60Hz AC/DC	6.6VA   4.2W	CBS / C + IC	-30...+50°C	2/3 x 2.5 mm <sup>2</sup> -0-	0.64
TWX8051WKR	220-240V 50/60Hz AC/DC	6.6VA   4.2W	CBS / C + IC	-30...+50°C	2/3 x 2.5 mm <sup>2</sup> -0-	0.64

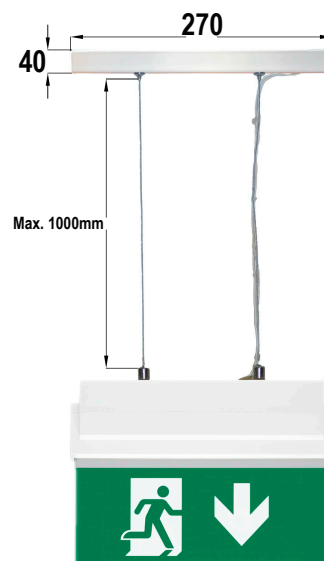
### PICTOGRAMS

Product Code	Pictogram	Product Description
PBV80202E		Down arrow - 2 sided - 20m
PBV80201E		Left/right arrow - 2 sided - 20m
PBV80205E		Up arrow - 2 sided - 20m
PBV80262E		Down arrow - 2 sided - 26m
PBV80261E		Left/right arrow - 2 sided - 26m
PBV80265E		Up arrow - 2 sided - 26m
PBV80302E		Down arrow - 2 sided - 30m
PBV80301E		Left/right arrow - 2 sided - 30m
PBV80300		Left/right/down arrow - 1 sided/2 sided - 30m with transparent edge
PBV80305E		Up arrow - 2 sided - 30m

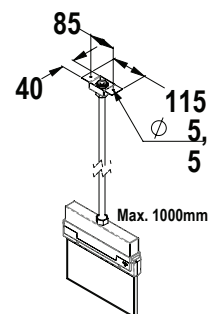


### ACCESSORIES

Product Code	Product Description
TWT8001	Recess mounting frame for centrally supplied luminaires Mounting with screw
TWT8006	Recess mounting frame for centrally supplied luminaires Mounting with springs
TWT9002	Flag bracket
TWT9000	Suspension bracket
TW77507B	Shock protecting covers (dims: X=320, Y=165, Z=305, A=340)
TWT8000	Recess mounting frame for centrally supplied luminaires Mounting with clips
TWT8009	Suspension bracket with SS String



Suspension bracket with SS string  
TWT8009



Suspension bracket  
TWT9000