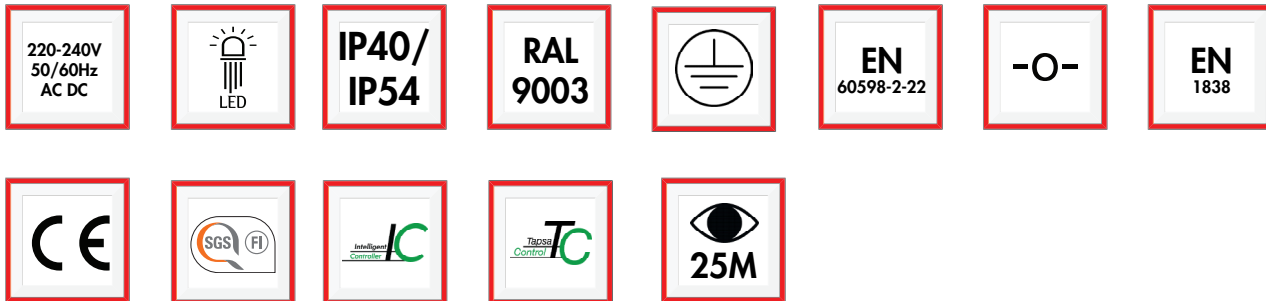


TWXB151WK Emergency/Exit Light



SYSTEM DESCRIPTION



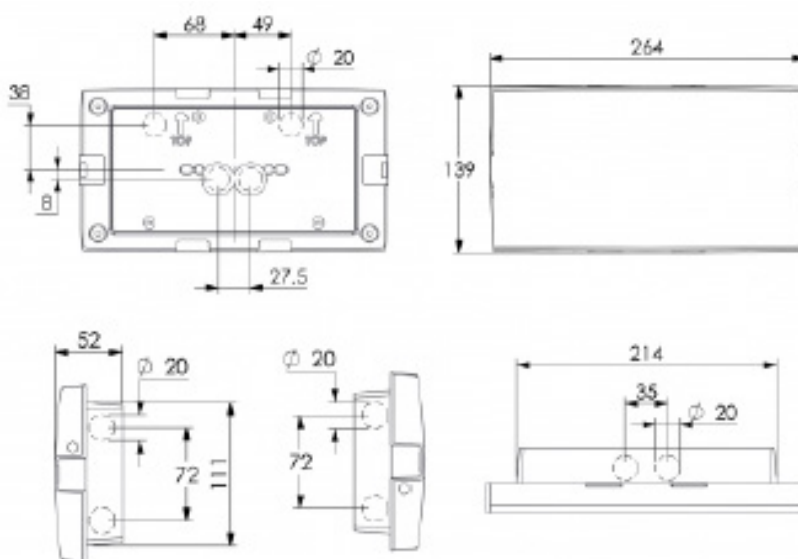
Teknoware Combo is a combination light, which can be used as both an emergency and emergency exit light. Combo's versatility makes it a cost-effective light and the ideal choice when you want a single fixture for your entire property's needs

The luminaire is available as IP40 as well as IP54 which makes the luminaire suitable for internal and, external areas.

KEY FEATURES

- Suitable for demanding environments
- Available in IP40 and IP54
- Uses improved LED technology
- Can be used in BOH areas

DIMENSIONS



TWXB151WK

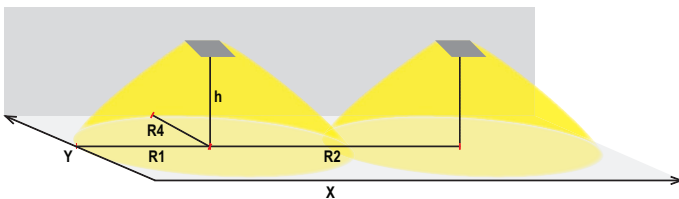
Emergency/Exit Light

Product Code	Nominal Supply Voltage	Maximum Input Power	Luminous Flux (lm)	Operation Mode	Temperature Range	Electrical Installation	Weight (kg)
TWXB151WK	220-240V, 50/60 Hz AC/DC	5.7VA / 3.4W	170	CBS / C +IC	-30...+50°C	2/3 x 2.5 mm ² -0-	0.45

LIGHT DISTRIBUTION TABLES

Emergency Lighting for escape routes (ceiling mounted)

- Table of 1 lux for escape routes in the middle line according to the norm EN1838
- Level of measurement 0.02m, measurement result with battery operation



- R1 distance from wall (X Axis)
- R2 installation distance between lights (X Axis)
- R4 distance from wall (Y Axis)

TWXB151WK

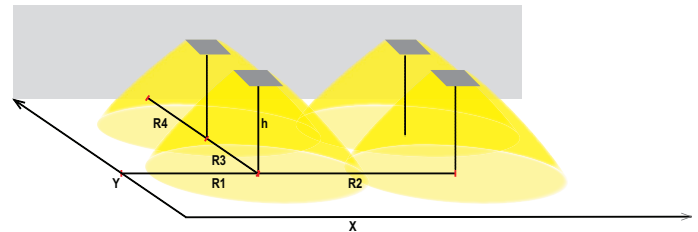
Mounting height (m)	Below the light (lux)	R1 (m)	R2 (m)	R4 (m)
		1 lux	1 lux	1 lux
2.5	7	3	8	1
3	5	3	8.5	1
4	2.5	3	9.5	1

ACCESSORIES

Model no.	Product Description
TWTB110	IP54 Gasket

Emergency Lighting for open areas (ceiling mounted)

- Table of 0.5 lux for open areas according to the norm EN1838. 0.5m edge district is considered in this table.
- Level of measurement 0.02m, measurement result with battery operation



- R1 distance from wall (X Axis)
- R2 installation distance between lights (X Axis)
- R3 installation distance between lights (Y Axis)
- R4 distance from wall (Y Axis)

TWXB151WK

Mounting height (m)	Below the light (lux)	R1 (m)	R2 (m)	R3 (m)	R4 (m)
		0.5 lux	0.5 lux	0.5 lux	0.5 lux
2.5	7	3.5	7	7	3.5
3	5	3.5	7	7	3.5
4	2.5	3.5	7.5	7.5	3.5
6	1.2	4	8	8	4

PICTOGRAMS

Pictograms	
	Right arrow
	Left arrow
	Down arrow
	Up arrow