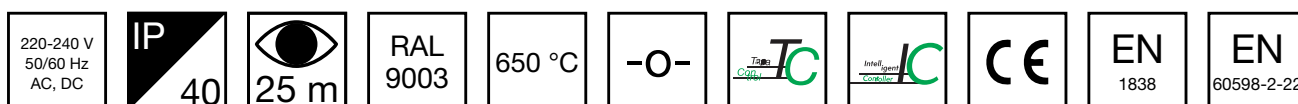


EASY COMBO EMERGENCY LIGHT OR EMERGENCY EXIT LIGHT TWTB151WK



Addressable 230 V centrally supplied Emergency / Exit Light.

Teknoware Easy Combo is a combination light, which can be used as either an emergency or emergency exit light. When fitted with the rotatable sign, Combo can show the direction arrow pointing up, down, left or right. When Combo is used as an emergency exit light, a separate ceiling bracket is needed for ceiling installation (TWTB104). When Combo is used as an emergency light, the sign is not installed.

Easy Combo can easily be surface or semi-flush mounted thanks to its practical design. Easy's wide product family offers an ideal choice when you want a single fixture for your entire property's needs.

INDIVIDUALLY PACKED LIGHTS

Product Code
YB151WK120

Product Code	TWTB151WK
Feature	Intelligent Controller, Tapsa Control
Mounting (standard)	wall, ceiling, surface, recess
Customs Code	94056080
GTIN Code	6438045024950
ETIM Product Class	EC001957
Length	265 mm
Width	137 mm
Height	53 mm
Weight	0.45 kg
Max Input Power VA	5,7 VA
Max Input Power W	3,4 W
Nominal Supply Voltage	220-240 V, 50/60 Hz AC, DC
Protection Class	II
IP Class	IP40
Temperature Range Min - Max	-30...+50 °C
Glow Wire Test of Plastic Materials	650 °C
Viewing Distance	25 m
Body Material	plastic
Colour	RAL9003
Electrical Installation	2/3 x 2,5 mm ²
Luminous Flux	170 lm

We reserve the rights to make modifications without notice.

Copyright © 2024 Teknoware. All rights reserved.

Date: January 17, 2024 | Source:

www.teknoware.com/en/easy-combo-emergency-light-or-emergency-exit-light-twtb151wk

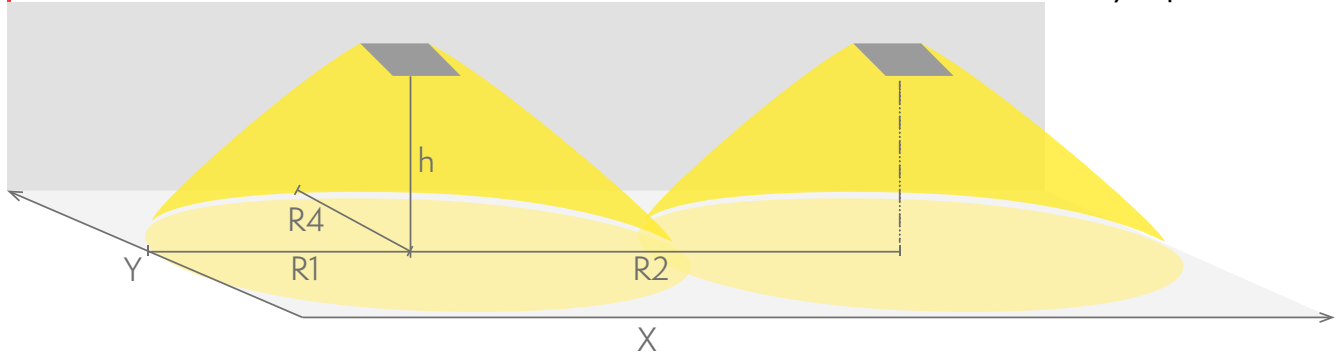
Teknoware Oy | P.O. Box 19, 15101 Lahti | Ilmarisentie 8, 15200 Lahti Finland
Tel +358 3 883 020 | VAT-number FI01494751 | teknoware.com | emexit@teknoware.com



Emergency lighting for escape routes (ceiling mounting)

Table of 1 lux for escape routes in the middle line according to the norm EN 1838.

Level of measurement 0,02 m, measurement result with battery operation.



R1 distance from wall (X axis)

R2 installation distance between lights (X axis)

R4 distance from wall (Y axis)

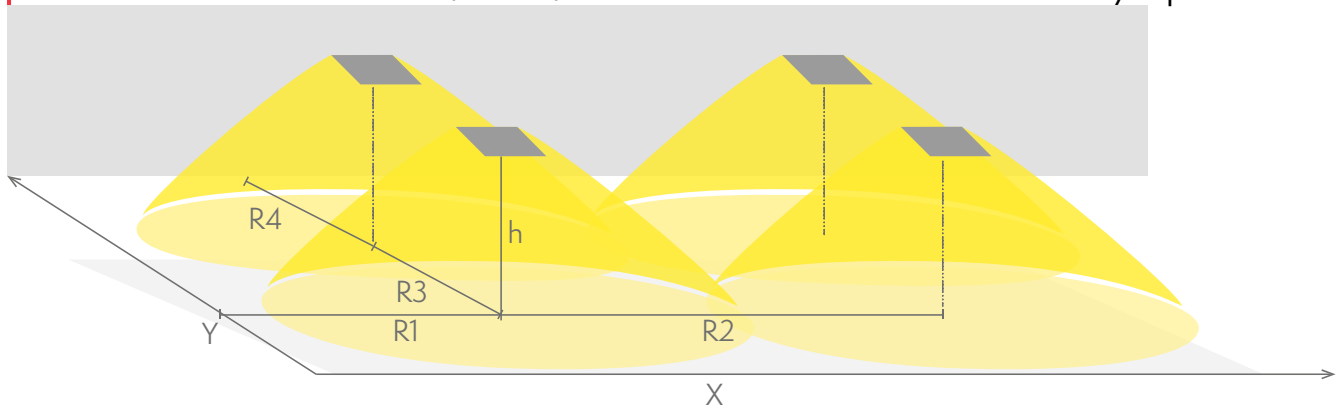
TWTB151WK

Mounting height (m)	Below the light lux	R1 (m)	R2 (m)	R4 (m)
		1 lux	1 lux	1 lux
2,5	7	3	8	1
3	5	3	8.5	1
4	2.5	3	9.5	1

Emergency lighting for open areas (ceiling mounting)

Table of 0,5 lux for open areas according to the norm EN 1838, 0,5 m edge district is considered in the table.

Level of measurement 0,02 m, measurement result with battery operation.



R1 distance from wall (X axis)

R2 installation distance between lights (X axis)

R3 installation distance between lights (Y axis)

We reserve the rights to make modifications without notice.

Copyright © 2024 Teknoware. All rights reserved.

Date: January 17, 2024 | Source:

www.teknoware.com/en/easy-combo-emergency-light-or-emergency-exit-light-twtb151wk



Teknoware Oy | P.O. Box 19, 15101 Lahti | Ilmarisentie 8, 15200 Lahti Finland

Tel +358 3 883 020 | VAT-number FI01494751 | teknoware.com | emexit@teknoware.com

R4 distance from wall (Y axis) TWTB151WK

Mounting height (m)	Below the light lux	R1 (m)	R2 (m)	R3 (m)	R4 (m)
		0,5 lux	0,5 lux	0,5 lux	0,5 lux
2,5	7	3.5	7	7	3.5
3	5	3.5	7	7	3.5
4	2.5	3.5	7.5	7.5	3.5
6	1.2	4	8	8	4

OPTIONAL ACCESSORIES:

SHOCK PROTECTING COVERS FOR EMERGENCY LIGHTS



Product Code	Product Name	Compatible Product Groups
TW77508B	Shock protecting cover TW77508B	ESC 0,5 Emergency Exit Lights, ESC 4 Emergency Exit Lights, ESC 90 Emergency Exit Lights, Safe 82 Emergency Lights

OTHER ACCESSORIES FOR EMERGENCY LIGHTS



Product Code	Product Name	Compatible Product Groups
TWTB110	Easy Combo IP54 gasket TWTB110	Other Accessories for Emergency Exit Lights

OPTIONAL MOUNTING ACCESSORIES FOR EMERGENCY EXIT LIGHTS



Product Code	Product Name	Compatible Product Groups
TWTB101	Easy Combo recess mounting frame TWTB101	Easy: Combo Emergency / Exit Light, Easy Combo Emergency / Exit Light
TWTB103	Easy Combo flag bracket TWTB103	Easy: Combo Emergency / Exit Light, Easy Combo Emergency / Exit Light
TWTB104	Easy Combo ceiling bracket TWTB104	Easy: Combo Emergency / Exit Light, Easy Combo Emergency / Exit Light

We reserve the rights to make modifications without notice.
Copyright © 2024 Teknoware. All rights reserved.
Date: January 17, 2024 | Source:
www.teknoware.com/en/easy-combo-emergency-light-or-emergency-exit-light-twtb151wk

Teknoware Oy | P.O. Box 19, 15101 Lahti | Ilmarisentie 8, 15200 Lahti Finland
Tel +358 3 883 020 | VAT-number FI01494751 | teknoware.com | emexit@teknoware.com



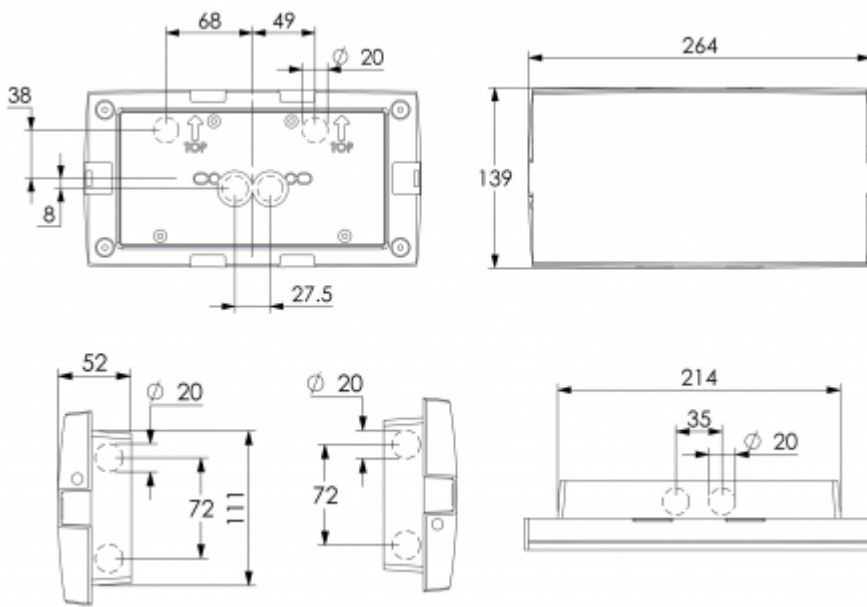
Product Code	Product Name	Compatible Product Groups
TWTB105	Easy Combo suspension bracket TWTB105	Easy: Combo Emergency / Exit Light, Easy Combo Emergency / Exit Light

COMPATIBLE PRODUCTS:

PICTOGRAMS FOR EMERGENCY EXIT LIGHTS



Product Code	Pictogram	Viewing Distance (m)	Compatible Product Groups
PBB100		25	



We reserve the rights to make modifications without notice.
 Copyright © 2024 Teknoware. All rights reserved.
 Date: January 17, 2024 | Source:
www.teknoware.com/en/easy-combo-emergency-light-or-emergency-exit-light-twtb151wk

Teknoware Oy | P.O. Box 19, 15101 Lahti | Ilmarisentie 8, 15200 Lahti Finland
 Tel +358 3 883 020 | VAT-number FI01494751 | teknoware.com | emexit@teknoware.com

