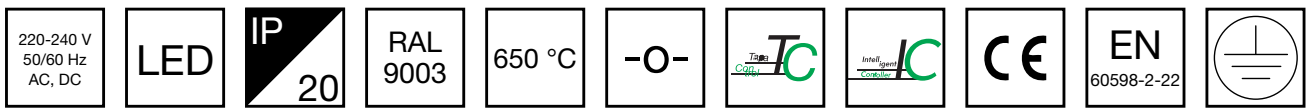


LINESPOT II LOWBAY EMERGENCY LIGHT TWT1451WK



Addressable 230 V centrally supplied LED Emergency Light

The Linespot II Lowbay is a compact and stylish emergency light designed especially for corridor lighting. The luminaire is recess mounted; the size of the recess mounting aperture is \varnothing 75 mm. Linespot II Lowbay's design is an unobtrusive solution for energy-efficient emergency lighting.

INDIVIDUALLY PACKED LIGHTS

Product Code
Y1451WK

Product Code	TWT1451WK
Feature	Intelligent Controller, Tapsa Control
Mounting (standard)	recess
Customs Code	94056080
GTIN Code	6438045012254
ETIM Product Class	EC001957
Length	100 mm
Width	100 mm
Height	50 mm
Weight	0,4 kg
Max Input Power VA	10 VA
Max Input Power W	5,5 W
Nominal Supply Voltage	220-240 V, 50/60 Hz AC, DC
Protection Class	I
IP Class	IP20
Temperature Range Min - Max	-30...+50 °C
Glow Wire Test of Plastic Materials	650 °C
Light Source	LED
Body Material	plastic
Aperture for Recess Mounting	ø75 mm
Colour	RAL9003
Electrical Installation	3 x 2,5 mm ²

We reserve the rights to make modifications without notice.
Copyright © 2024 Teknoware. All rights reserved.
Date: January 12, 2024 | Source:
www.teknoware.com/en/emergency-lighting-1/linespot-ii-lowbay-emergency-light-twt1451wk

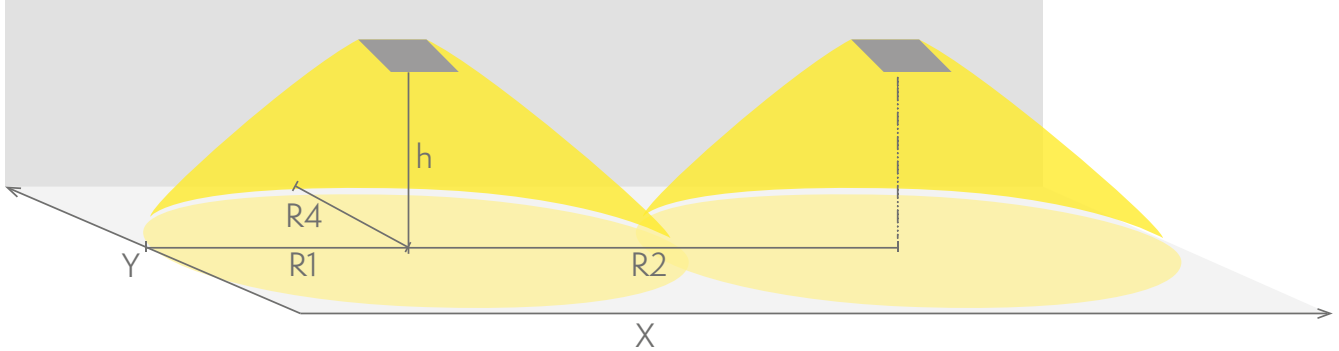


Teknoware Oy | P.O. Box 19, 15101 Lahti | Ilmarisentie 8, 15200 Lahti Finland
Tel +358 3 883 020 | VAT-number FI01494751 | teknoware.com | emexit@teknoware.com

Emergency lighting for escape routes (ceiling mounting)

Table of 1 lux for escape routes in the middle line according to the norm EN 1838.

Level of measurement 0,02 m, measurement result with battery operation.



R1 distance from wall (X axis)

R2 installation distance between lights (X axis)

R4 distance from wall (Y axis)

TWT1451WK

Mounting height (m)	Below the light lux	R1 (m)	R2 (m)	R4 (m)
		1 lux	1 lux	1 lux
2,5	7,5	9	21	1
4	3	10	28	1
6	1,5	9	22	1

OPTIONAL ACCESSORIES:

OTHER ACCESSORIES FOR EMERGENCY LIGHTS



Product Code	Product Name	Compatible Product Groups
TMT389	Gasket ring TMT389	Linespot II: Lowbay, Recess-Mounted Emergency Lights, Zonespot II: Lowbay, Recess-Mounted Emergency Lights

We reserve the rights to make modifications without notice.

Copyright © 2024 Teknoware. All rights reserved.

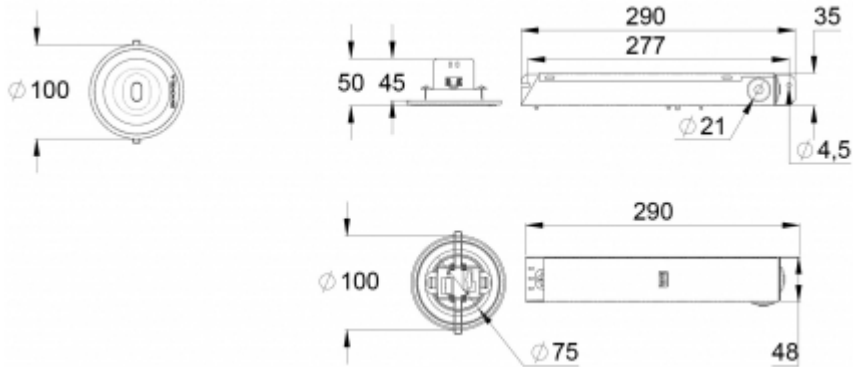
Date: January 12, 2024 | Source:

www.teknoware.com/en/emergency-lighting-1/linespot-ii-lowbay-emergency-light-twt1451wk



Teknoware Oy | P.O. Box 19, 15101 Lahti | Ilmarisentie 8, 15200 Lahti Finland

Tel +358 3 883 020 | VAT-number FI01494751 | teknoware.com | emexit@teknoware.com



We reserve the rights to make modifications without notice.
Copyright © 2024 Teknoware. All rights reserved.
Date: January 12, 2024 | Source:
www.teknoware.com/en/emergency-lighting-1/linespot-ii-lowbay-emergency-light-twt1451wk



Teknoware Oy | P.O. Box 19, 15101 Lahti | Ilmarisentie 8, 15200 Lahti Finland
Tel +358 3 883 020 | VAT-number FI01494751 | teknoware.com | emexit@teknoware.com