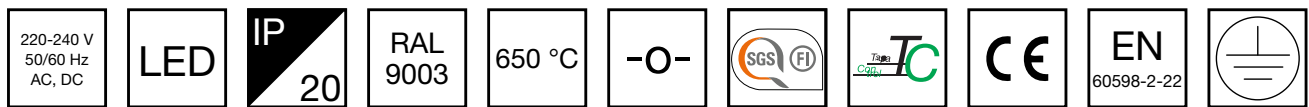
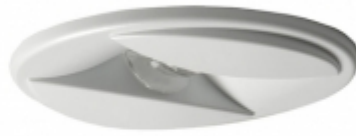


# LINESPOT LED EMERGENCY LIGHT TWT5051WK



## Addressable 230 V centrally supplied LED Emergency Light

Linespot is especially designed for high corridor lighting. It utilizes the latest LED technology. The luminaire optics are designed to give long and a narrow pattern area that illuminates the escape route efficiently, and enables longer distances between the luminaires.

Linespot's small size and stylish design enables the implementation of a energy efficient emergency lighting without visually disrupting the interiors atmosphere.

# INDIVIDUALLY PACKED LIGHTS

Product Code
Y5051WK

Product Code	TWT5051WK
Feature	Tapsa Control
Mounting (standard)	recess
Customs Code	94056080
GTIN Code	6438045007229
ETIM Product Class	EC001957
Length	101 mm
Width	101 mm
Height	55 mm
Weight	0,4 kg
Max Input Power VA	10 VA
Max Input Power W	5,5 W
Nominal Supply Voltage	220-240 V, 50/60 Hz AC, DC
Protection Class	I
IP Class	IP20
Temperature Range Min - Max	-30...+50 °C
Glow Wire Test of Plastic Materials	650 °C
Certifications	SGS Fimko
Light Source	LED
Body Material	plastic
Aperture for Recess Mounting	ø75 mm
Colour	RAL9003

We reserve the rights to make modifications without notice.  
Copyright © 2024 Teknoware. All rights reserved.  
Date: January 12, 2024 | Source:  
[www.teknoware.com/en/emergency-lighting-1/linespot-led-emergency-light-twt5051wk](http://www.teknoware.com/en/emergency-lighting-1/linespot-led-emergency-light-twt5051wk)

Teknoware Oy | P.O. Box 19, 15101 Lahti | Ilmarisentie 8, 15200 Lahti Finland  
Tel +358 3 883 020 | VAT-number FI01494751 | [teknoware.com](http://teknoware.com) | [emexit@teknoware.com](mailto:emexit@teknoware.com)

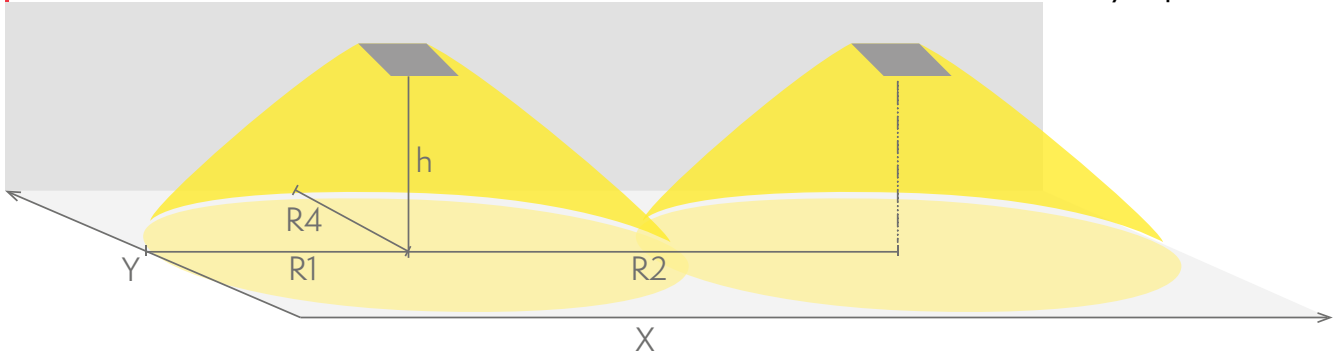


Electrical Installation	3 x 2,5 mm <sup>2</sup>
Luminous Flux	265 lm

## Emergency lighting for escape routes (ceiling mounting)

Table of 1 lux for escape routes in the middle line according to the norm EN 1838.

Level of measurement 0,02 m, measurement result with battery operation.



R1 distance from wall (X axis)

R2 installation distance between lights (X axis)

R4 distance from wall (Y axis)

TWT5051WK

Mounting height (m)	Below the light lux	R1 (m)	R2 (m)	R4 (m)
		1 lux	1 lux	1 lux
2,5	40	5	11	1
4	15	6,5	17	1
6	6	7,5	20	1
8	3,5	7	21	1
10	2	6,5	21	1

## SPARE PARTS:

## SPARE PARTS FOR EMERGENCY LIGHTS



Product Code	Product Name	Compatible Product Groups
W100002	Ballast W100002	Addressable 230 V Centrally Supplied Emergency Lights, Addressable 230 V Centrally Supplied Emergency Exit Lights

We reserve the rights to make modifications without notice.

Copyright © 2024 Teknoware. All rights reserved.

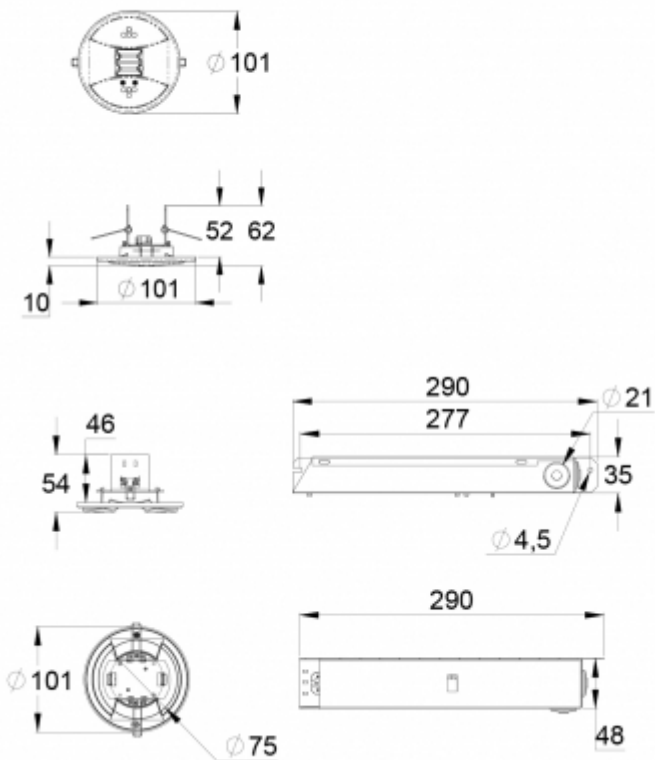
Date: January 12, 2024 | Source:

[www.teknoware.com/en/emergency-lighting-1/linespot-led-emergency-light-twt5051wk](http://www.teknoware.com/en/emergency-lighting-1/linespot-led-emergency-light-twt5051wk)



Teknoware Oy | P.O. Box 19, 15101 Lahti | Ilmarisentie 8, 15200 Lahti Finland

Tel +358 3 883 020 | VAT-number FI01494751 | [teknoware.com](http://teknoware.com) | [emexit@teknoware.com](mailto:emexit@teknoware.com)



We reserve the rights to make modifications without notice.  
Copyright © 2024 Teknoware. All rights reserved.  
Date: January 12, 2024 | Source:  
[www.teknoware.com/en/emergency-lighting-1/linespot-led-emergency-light-twt5051wk](http://www.teknoware.com/en/emergency-lighting-1/linespot-led-emergency-light-twt5051wk)

Teknoware Oy | P.O. Box 19, 15101 Lahti | Ilmarisentie 8, 15200 Lahti Finland  
Tel +358 3 883 020 | VAT-number FI01494751 | [teknoware.com](http://teknoware.com) | [emexit@teknoware.com](mailto:emexit@teknoware.com)

