

LOCAL CONTROLLER TS90686



Local Controller (with a junction box enclosure (IP20) for independent installation)

1-3-phase monitoring

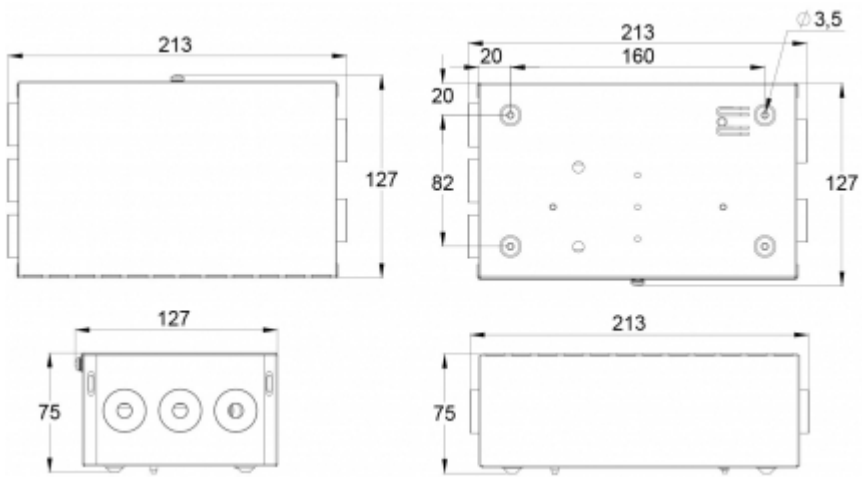
Controlling the non-maintained lights through the supply cabling

Product Code	TS90686
Mounting (standard)	surface
Customs Code	94056080
GTIN Code	6438045004143
ETIM Product Class	EC000205
Nominal Supply Voltage	220-240 V, 50/60 Hz AC, DC
Power Consumption	250 VA
IP Class	IP20
Body Material	sheet metal

We reserve the rights to make modifications without notice.
Copyright © 2024 Teknoware. All rights reserved.
Date: January 18, 2024 | Source:
www.teknoware.com/en/emergency-lighting/local-controller-ts90686

Teknoware Oy | P.O. Box 19, 15101 Lahti | Ilmarisentie 8, 15200 Lahti Finland
Tel +358 3 883 020 | VAT-number FI01494751 | teknoware.com | emexit@teknoware.com





We reserve the rights to make modifications without notice.
Copyright © 2024 Teknoware. All rights reserved.
Date: January 18, 2024 | Source:
www.teknoware.com/en/emergency-lighting/local-controller-ts90686

Teknoware Oy | P.O. Box 19, 15101 Lahti | Ilmarisentie 8, 15200 Lahti Finland
Tel +358 3 883 020 | VAT-number FI01494751 | teknoware.com | emexit@teknoware.com

