

LOCAL CONTROLLER TST6802



Local Controller (with a junction box enclosure (IP20) for independent installation)

1-3-phase monitoring

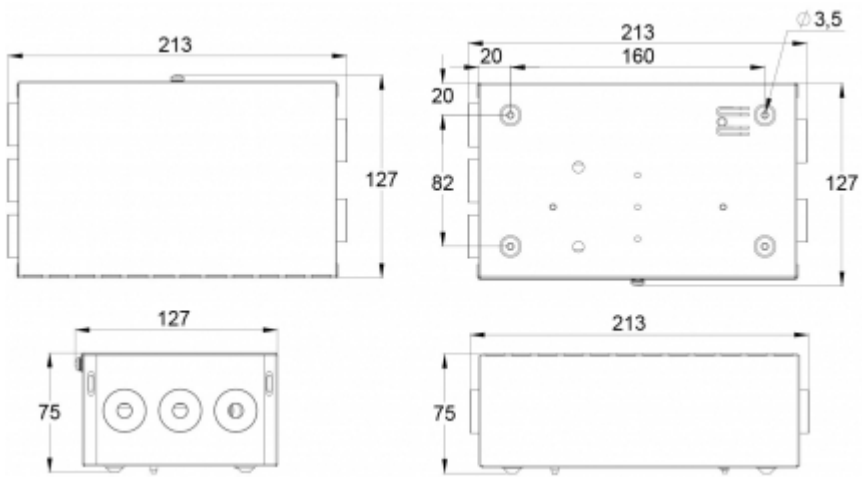
Controlling the non-maintained lights through the supply cabling

Product Code	TST6802
Mounting (standard)	surface
Customs Code	94056080
GTIN Code	6438045007984
ETIM Product Class	EC000205
Length	123 mm
Width	43 mm
Height	86 mm
Weight	0,1 kg
Nominal Supply Voltage	220-240 V, 50/60 Hz AC, DC
Power Consumption	1400 VA
IP Class	IP20
Body Material	sheet metal

We reserve the rights to make modifications without notice.
Copyright © 2024 Teknoware. All rights reserved.
Date: January 18, 2024 | Source:
www.teknoware.com/en/emergency-lighting/local-controller-tst6802

Teknoware Oy | P.O. Box 19, 15101 Lahti | Ilmarisentie 8, 15200 Lahti Finland
Tel +358 3 883 020 | VAT-number FI01494751 | teknoware.com | emexit@teknoware.com





We reserve the rights to make modifications without notice.
Copyright © 2024 Teknoware. All rights reserved.
Date: January 18, 2024 | Source:
www.teknoware.com/en/emergency-lighting/local-controller-tst6802

Teknoware Oy | P.O. Box 19, 15101 Lahti | Ilmarisentie 8, 15200 Lahti Finland
Tel +358 3 883 020 | VAT-number FI01494751 | teknoware.com | emexit@teknoware.com

