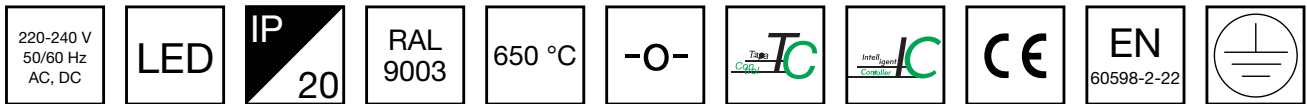


SLIMSPOT II ANGLE EMERGENCY LIGHT TWTD151WK



Addressable 230 V centrally supplied emergency light

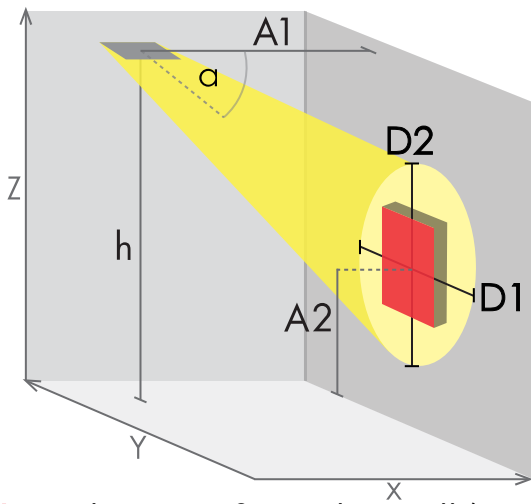
Slimspot II is a recessed emergency light that is effective and seamless. It has an elegant and minimalist appearance, so it blends in with the surroundings and architecture. The broad Slimspot II product family and range of optics offers many options to suit a variety of applications and systems. Slimspot II is designed for indoor lighting, and it has durable metal framing. The standard colour of the luminaire is white. On request, it is also possible to order Slimspot II in black and grey to match the surrounding environment.

The Slimspot II Angle provides an angled light pattern that illuminates fire and safety equipment (such as fire alarm call points, first aid stations, firefighting equipment and panels) vertically with 5 lux according to EN 1838.

Product Code	TWTD151WK
Feature	Intelligent Controller, Tapsa Control
Mounting (standard)	recess
Customs Code	94056080
GTIN Code	6438045026732
ETIM Product Class	EC001957
Length	90 mm
Width	90 mm
Height	46 mm
Weight	0,4 kg
Max Input Power VA	10 VA
Max Input Power W	5,5 W
Nominal Supply Voltage	220-240 V, 50/60 Hz AC, DC
Protection Class	I
IP Class	IP20
Temperature Range Min - Max	-30...+50 °C
Glow Wire Test of Plastic Materials	650 °C
Light Source	LED
Body Material	metal
Aperture for Recess Mounting	ø75 mm
Colour	RAL9003
Electrical Installation	3 x 2,5 mm ²
Luminous Flux	150 lm

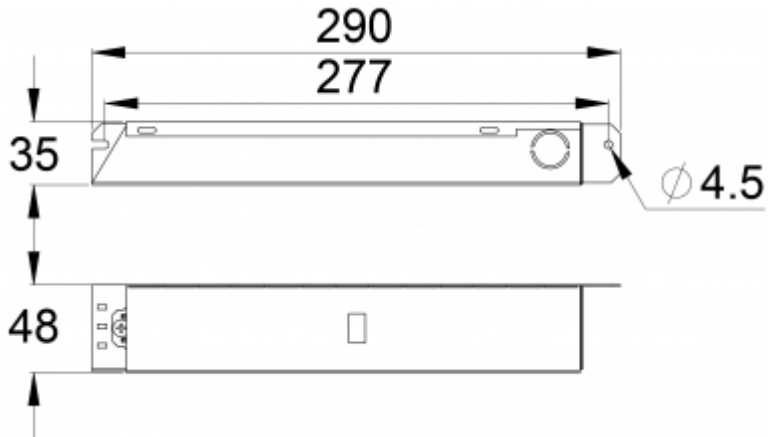
Light distribution chart of angled light

| Area in which a minimum vertical illuminance of 5 lx is achieved



A1 distance from the wall (X axis)
 A2 distance from the floor (Z axis)
 D1 pattern width (Y axis)
 D2 pattern height (Z axis)
TWTD151WK

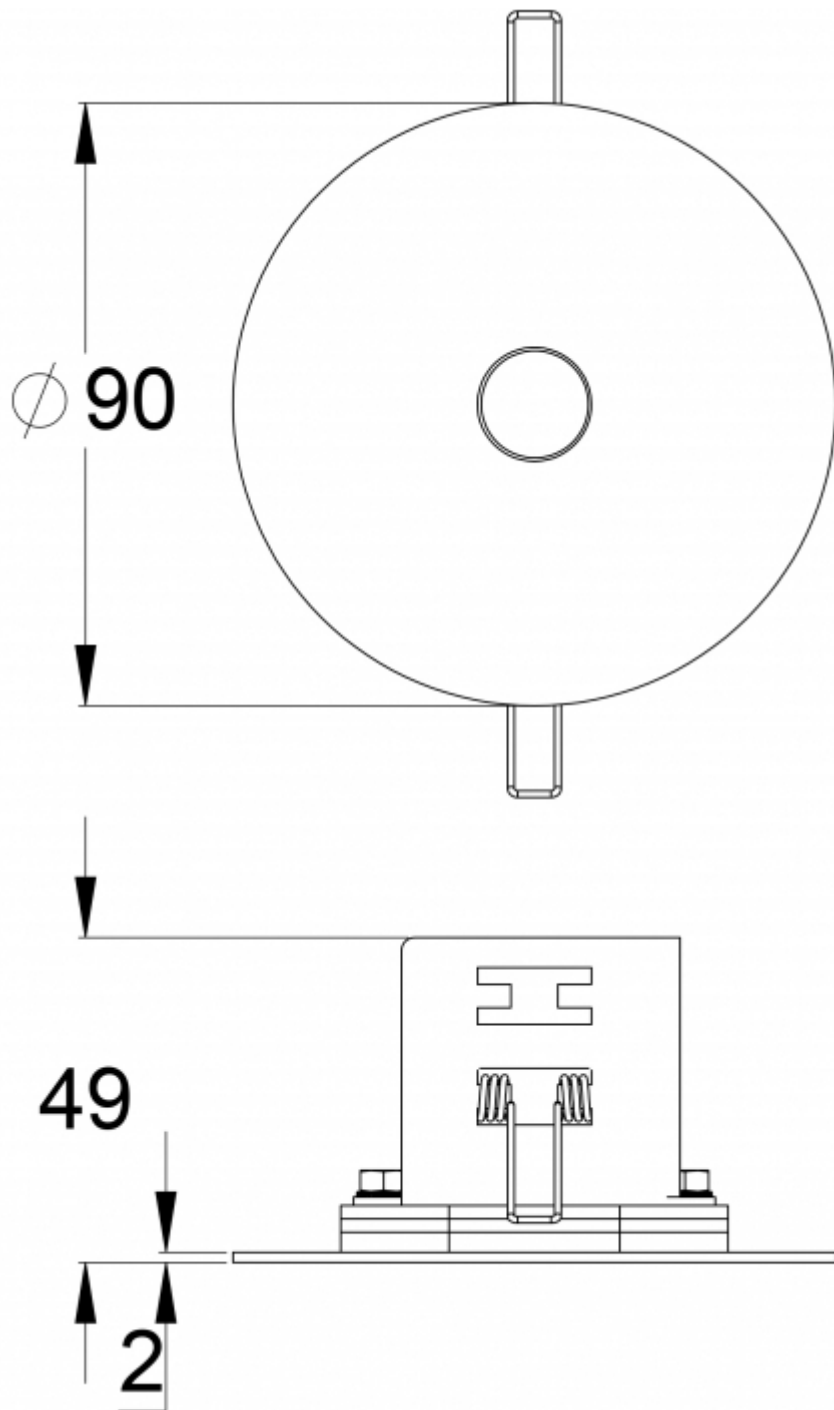
Mounting height (m)	A1 (m)	A2 (m)	D1 (m)	D2 (m)
			5 lux	5 lux
2,5	1	1,2	2,1	2,4
2,5	1,5	1	2,4	2,3
2,5	2,0	1	2,6	2,1
3	1	1,8	2,1	2,3
3	1,5	1,5	2,4	2,7
3	2,0	1,3	2,7	2,6
4	2,5	1,8	2,8	3,3
4	3,0	1,6	2,8	3,1
4	3,5	1,4	2,6	2,8



We reserve the rights to make modifications without notice.
Copyright © 2024 Teknoware. All rights reserved.
Date: January 12, 2024 | Source:
www.teknoware.com/en/emergency-lighting-1/slimspot-ii-angle-emergency-light-twtd151wk

Teknoware Oy | P.O. Box 19, 15101 Lahti | Ilmarisentie 8, 15200 Lahti Finland
Tel +358 3 883 020 | VAT-number FI01494751 | teknoware.com | emexit@teknoware.com





We reserve the rights to make modifications without notice.
Copyright © 2024 Teknoware. All rights reserved.
Date: January 12, 2024 | Source:
www.teknoware.com/en/emergency-lighting-1/slimspot-ii-angle-emergency-light-twtd151wk

Teknoware Oy | P.O. Box 19, 15101 Lahti | Ilmarisentie 8, 15200 Lahti Finland
Tel +358 3 883 020 | VAT-number FI01494751 | teknoware.com | emexit@teknoware.com

