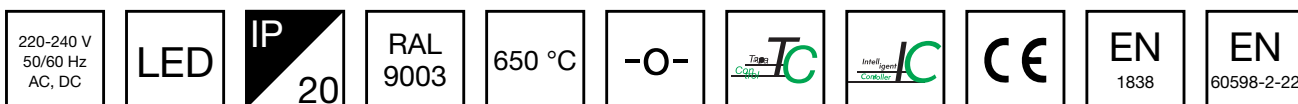


# SLIMSPOT II LINE MIDBAY EMERGENCY LIGHT TWT1151WK



## Addressable 230 V centrally supplied emergency light

Slimspot II is a recessed emergency light that is effective and seamless. It has an elegant and minimalist appearance, so it blends in with the surroundings and architecture. The broad Slimspot II product family and range of optics offers many options to suit a variety of applications and systems. Slimspot II is designed for indoor lighting, and it has durable metal framing. The standard colour of the luminaire is white. On request, it is also possible to order Slimspot II in black and grey to match the surrounding environment.

The Slimspot II Line Midbay provides a long and narrow pattern that illuminates escape routes efficiently.

We reserve the rights to make modifications without notice.  
Copyright © 2024 Teknoware. All rights reserved.  
Date: January 12, 2024 | Source:  
[www.teknoware.com/en/emergency-lighting-1/slimspot-ii-line-midbay-emergency-light-twt1151wk](http://www.teknoware.com/en/emergency-lighting-1/slimspot-ii-line-midbay-emergency-light-twt1151wk)



Teknoware Oy | P.O. Box 19, 15101 Lahti | Ilmarisentie 8, 15200 Lahti Finland  
Tel +358 3 883 020 | VAT-number FI01494751 | [teknoware.com](http://teknoware.com) | [emexit@teknoware.com](mailto:emexit@teknoware.com)

Product Code	TWT1151WK
Feature	Intelligent Controller, Tapsa Control
Mounting (standard)	recess
Customs Code	94056080
GTIN Code	6438045023564
ETIM Product Class	EC001957
Length	90 mm
Width	90 mm
Height	47 mm
Weight	0,4 kg
Max Input Power VA	10 VA
Max Input Power W	5,5 W
Nominal Supply Voltage	220-240 V, 50/60 Hz AC, DC
Protection Class	I
IP Class	IP20
Temperature Range Min - Max	-30...+50 °C
Glow Wire Test of Plastic Materials	650 °C
Light Source	LED
Body Material	metal
Aperture for Recess Mounting	ø75 mm
Colour	RAL9003
Electrical Installation	3 x 2,5 mm <sup>2</sup>
Luminous Flux	265 lm

## Emergency lighting for escape routes (ceiling mounting)

Table of 1 lux for escape routes in the middle line according to the norm EN 1838.

Level of measurement 0,02 m, measurement result with battery operation.

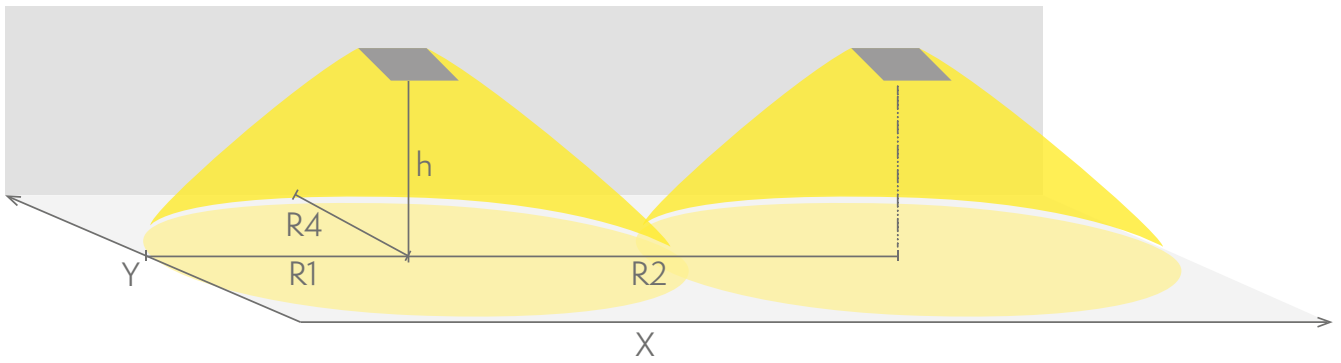
We reserve the rights to make modifications without notice.

Copyright © 2024 Teknoware. All rights reserved.

Date: January 12, 2024 | Source:

[www.teknoware.com/en/emergency-lighting-1/slimspot-ii-line-midbay-emergency-light-twt1151wk](http://www.teknoware.com/en/emergency-lighting-1/slimspot-ii-line-midbay-emergency-light-twt1151wk)





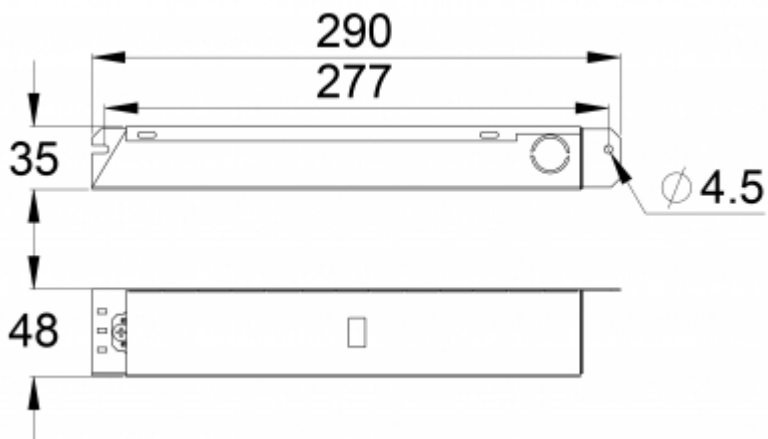
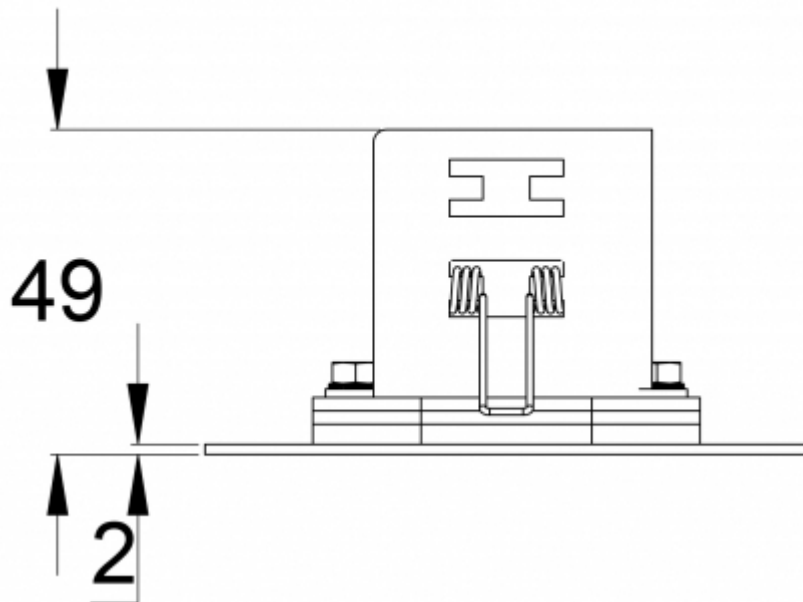
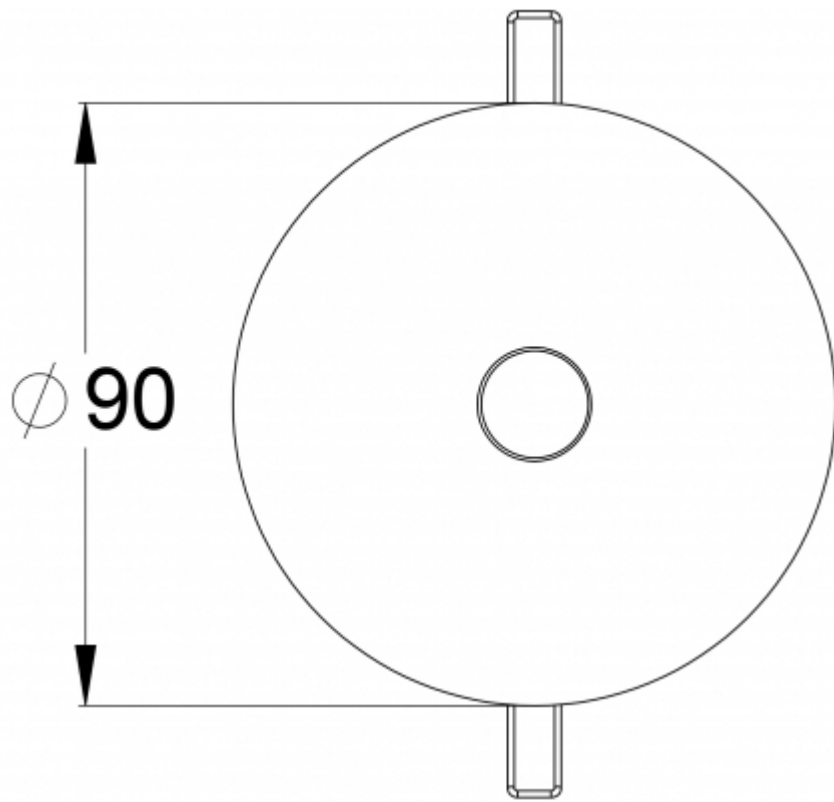
R1 distance from wall (X axis)  
 R2 installation distance between lights (X axis)  
 R4 distance from wall (Y axis)  
**TWT1151WK**

Mounting height (m)	Below the light lux	R1 (m)	R2 (m)	R4 (m)
		1 lux	1 lux	1 lux
2,5	40	5	11	1
4	15	6,5	17	1
6	6	7,5	20	1
8	3,5	7	21	1
10	2	6,5	21	1

We reserve the rights to make modifications without notice.  
 Copyright © 2024 Teknoware. All rights reserved.  
 Date: January 12, 2024 | Source:  
[www.teknoware.com/en/emergency-lighting-1/slimspot-ii-line-midbay-emergency-light-twt1151wk](http://www.teknoware.com/en/emergency-lighting-1/slimspot-ii-line-midbay-emergency-light-twt1151wk)



Teknoware Oy | P.O. Box 19, 15101 Lahti | Ilmarisentie 8, 15200 Lahti Finland  
 Tel +358 3 883 020 | VAT-number FI01494751 | [teknoware.com](http://teknoware.com) | [emexit@teknoware.com](mailto:emexit@teknoware.com)



We reserve the rights to make modifications without notice.  
Copyright © 2024 Teknoware. All rights reserved.  
Date: January 12, 2024 | Source:  
[www.teknoware.com/en/emergency-lighting-1/slimspot-ii-line-midbay-emergency-light-twt11](http://www.teknoware.com/en/emergency-lighting-1/slimspot-ii-line-midbay-emergency-light-twt11)  
51wk



Teknoware Oy | P.O. Box 19, 15101 Lahti | Ilmarisentie 8, 15200 Lahti Finland  
Tel +358 3 883 020 | VAT-number FI01494751 | [teknoware.com](http://teknoware.com) | [emexit@teknoware.com](mailto:emexit@teknoware.com)