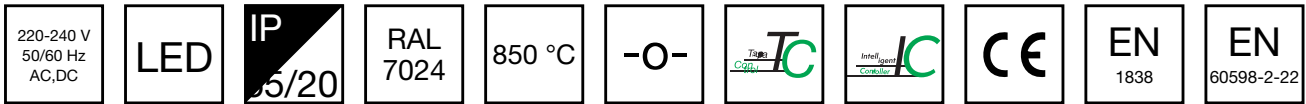
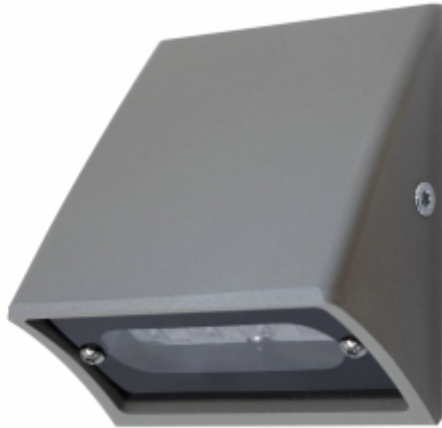


SMOOTH LINE EMERGENCY LIGHT TWTC851WK



Addressable 230 V centrally supplied emergency light

Teknoware Smooth is a small and elegant yet extremely durable emergency light optimised for outdoor use. Because of the stylish design, the luminaire blends seamlessly into the architecture of the building. The Smooth always consists of two units: the luminaire and a separated indoor electronic unit. The Smooth includes a 5-metre fire-proof installation cable between the units. The luminaire is designed for surface mounting on a wall. The Smooth has an impact-resistant cast aluminium casing (IK10), and it is dust- and waterproof (IP65 for the visible part of the luminaire). The standard colour of the luminaire is graphite grey (RAL 7024), other colours are available on request (e.g. white RAL 9003).

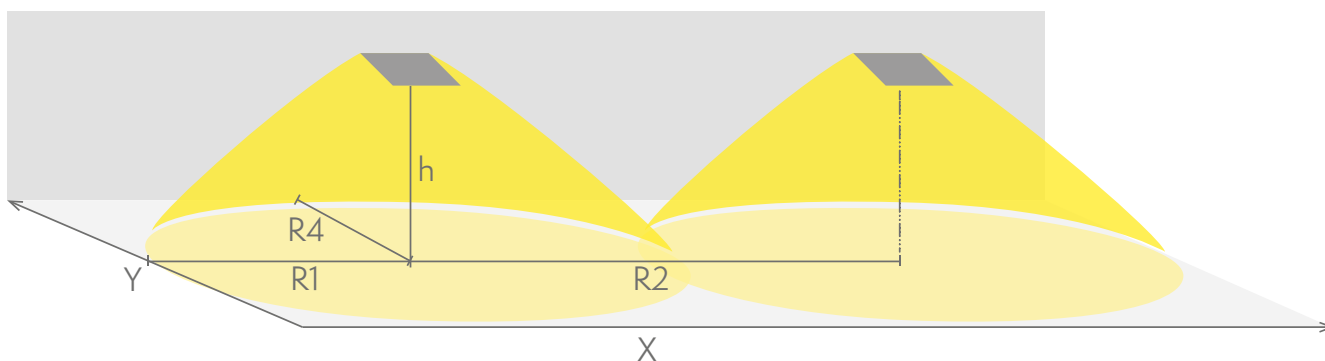
The Smooth Line is a compact emergency light designed to illuminate escape routes efficiently. The luminaire provides a long and narrow pattern.

Product Code	TWTC851WK
Feature	Intelligent Controller, Tapsa Control
Mounting (standard)	wall
Customs Code	94056080
GTIN Code	6438045026657
ETIM Product Class	EC001957
Length	100 mm
Width	60 mm
Height	110 mm
Weight	0.8 kg
Max Input Power VA	10 VA
Max Input Power W	5,5 W
Nominal Supply Voltage	220-240 V, 50/60 Hz AC,DC
Protection Class	I
IP Class	IP65/IP20
Temperature Range Min - Max	-30...+50 °C
Glow Wire Test of Plastic Materials	850 °C
Light Source	LED
Body Material	cast aluminium
Colour	RAL7024
Electrical Installation	3 x 2,5 mm ²
Luminous Flux	114 lm

Emergency lighting for escape routes (ceiling mounting)

Table of 1 lux for escape routes in the middle line according to the norm EN 1838.

Level of measurement 0,02 m, measurement result with battery operation.



- R1 distance from wall (X axis)
- R2 installation distance between lights (X axis)
- R4 distance from wall (Y axis)

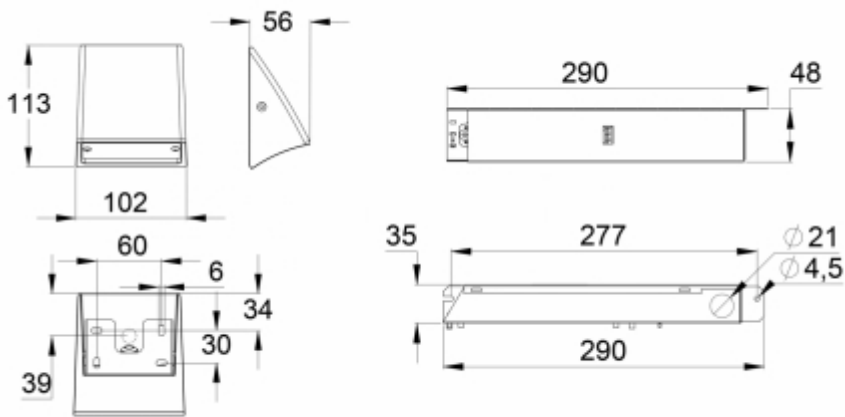
TWTC851WK

Mounting height (m)	Below the light lux	R1 (m)	R2 (m)	R4 (m)
		1 lux	1 lux	1 lux
2,5	4	3.5	11	1
3	2.9	2.6	10	1
4	1.5	2	9	1

OPTIONAL ACCESSORIES:

OPTIONAL MOUNTING ACCESSORIES FOR EMERGENCY LIGHTS

Product Code	Product Name	Compatible Product Groups
XWTA810	Smooth surface mounting bracket XWTA810	Smooth: Zone, Smooth: Line



We reserve the rights to make modifications without notice.
Copyright © 2024 Teknoware. All rights reserved.
Date: January 12, 2024 | Source:
www.teknoware.com/en/smooth-line-emergency-light-twtc851wk

Teknoware Oy | P.O. Box 19, 15101 Lahti | Ilmarisentie 8, 15200 Lahti Finland
Tel +358 3 883 020 | VAT-number FI01494751 | teknoware.com | emexit@teknoware.com

