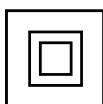
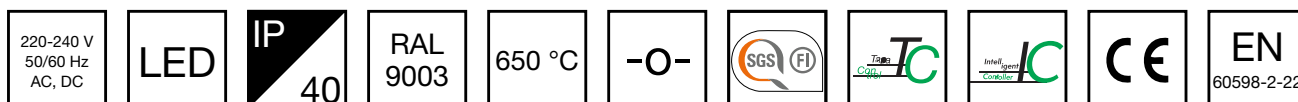


ZONESPOT II ANGLE EMERGENCY LIGHT TWTD251WK



Addressable 230 V centrally supplied emergency light

Teknoware Zonespot II Angle is a surface-mounted emergency light that illuminates safety equipment, such as fire alarm call points, first aid stations, firefighting equipment and panels, vertically with 5 lux according to EN 1838. Zonespot II Angle has been designed for indoor lighting, and the standard colour is white (RAL 9003). Installation is quick and easy, with a separate mounting base that also handles the power supply connection.

Product Code	TWTD251WK
Feature	Intelligent Controller, Tapsa Control
Mounting (standard)	surface
Mounting (optional)	pendel
Customs Code	94056080
GTIN Code	06438045028132
ETIM Product Class	EC001957
Length	180 mm
Width	180 mm
Height	50 mm
Weight	0,5 kg
Max Input Power VA	10 VA
Max Input Power W	5,5 W
Nominal Supply Voltage	220-240 V, 50/60 Hz AC, DC
Protection Class	II
IP Class	IP40
Temperature Range Min - Max	-30...+50 °C
Glow Wire Test of Plastic Materials	650 °C
Certifications	SGS Fimko
Light Source	LED
Body Material	plastic
Colour	RAL9003
Electrical Installation	2/3 x 2,5 mm ²
Luminous Flux	120 lm

OPTIONAL ACCESSORIES:

SHOCK PROTECTING COVERS FOR



We reserve the rights to make modifications without notice.
 Copyright © 2024 Teknoware. All rights reserved.
 Date: January 12, 2024 | Source:
www.teknoware.com/en/zonespot-ii-angle-emergency-light-twtd251wk



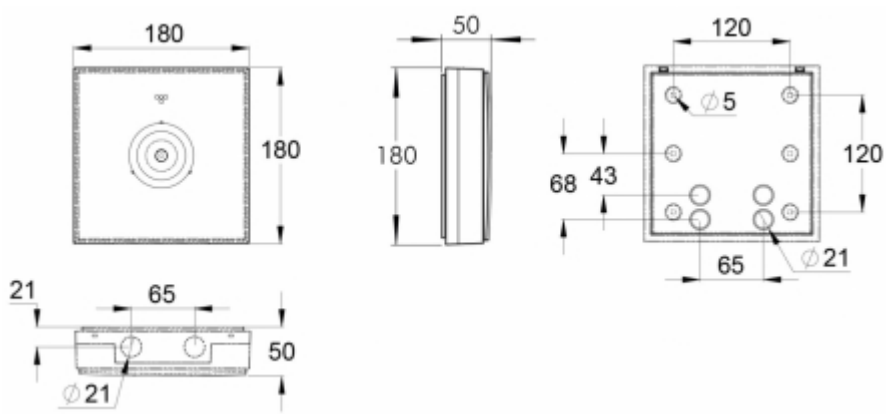
Teknoware Oy | P.O. Box 19, 15101 Lahti | Ilmarisentie 8, 15200 Lahti Finland
 Tel +358 3 883 020 | VAT-number FI01494751 | teknoware.com | emexit@teknoware.com

EMERGENCY LIGHTS

Product Code	Product Name	Compatible Product Groups
TW77507B	Shock protecting cover TW77507B	ESC 10 Emergency Exit Lights, ESC 80 Emergency Exit Lights

OPTIONAL MOUNTING ACCESSORIES FOR EMERGENCY LIGHTS

Product Code	Product Name	Compatible Product Groups
TW77504F	Suspension bracket TW77504F	Linespot II: Lowbay, Surface-Mounted Emergency Lights, Zonespot II: Lowbay, Surface-Mounted Emergency Lights, Zonespot II: Midbay, Surface-Mounted Emergency Lights, Linespot II: Midbay, Surface-Mounted Emergency Lights, Zonespot II: Highbay, Surface-Mounted Emergency Lights



We reserve the rights to make modifications without notice.
Copyright © 2024 Teknoware. All rights reserved.
Date: January 12, 2024 | Source:
www.teknoware.com/en/zonespot-ii-angle-emergency-light-twtd251wk

Teknoware Oy | P.O. Box 19, 15101 Lahti | Ilmarisentie 8, 15200 Lahti Finland
Tel +358 3 883 020 | VAT-number FI01494751 | teknoware.com | emexit@teknoware.com

