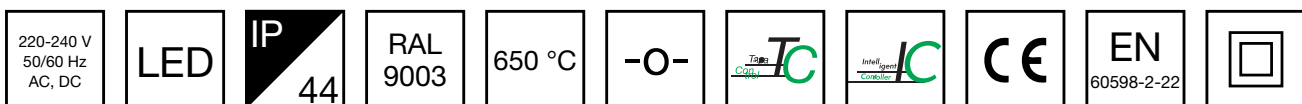


ZONESPOT II MIDBAY EMERGENCY LIGHT TWT9351WK



Addressable 230 V centrally supplied emergency light

The Zonespot II Midbay is a surface-mounted emergency light. The luminaire's optics are designed to provide a broad, uniform light pattern that illuminates open areas effectively.

Thanks to the IP44 enclosure class, the Zonespot II is also suitable for damp areas. The luminaire is easy and quick to install thanks to a separate mounting base, which is also connected to the power supply.

INDIVIDUALLY PACKED LIGHTS

Product Code
Y9351WK

Product Code	TWT9351WK
Feature	Intelligent Controller, Tapsa Control
Mounting (standard)	surface
Mounting (optional)	pendel
Customs Code	94056080
GTIN Code	6438045018324
ETIM Product Class	EC001957
Length	180 mm
Width	180 mm
Height	50 mm
Weight	0.5 kg
Max Input Power VA	10 VA
Max Input Power W	5,5 W
Nominal Supply Voltage	220-240 V, 50/60 Hz AC, DC
Protection Class	II
IP Class	IP44
Temperature Range Min - Max	-30...+50 °C
Glow Wire Test of Plastic Materials	650 °C
Light Source	LED
Body Material	plastic
Colour	RAL9003
Electrical Installation	2/3 x 2,5 mm ²

We reserve the rights to make modifications without notice.
Copyright © 2024 Teknoware. All rights reserved.
Date: January 12, 2024 | Source:
www.teknoware.com/en/zonespot-ii-midbay-emergency-light-twt9351wk

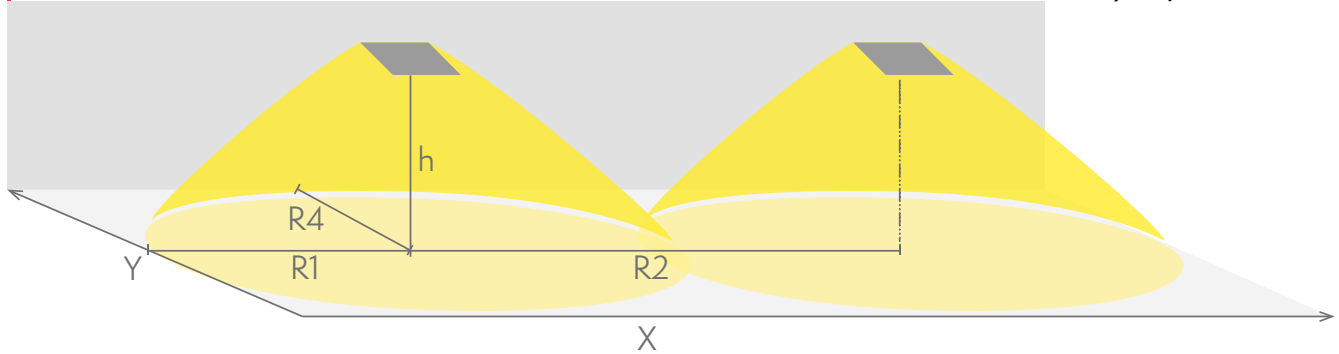
Teknoware Oy | P.O. Box 19, 15101 Lahti | Ilmarisentie 8, 15200 Lahti Finland
Tel +358 3 883 020 | VAT-number FI01494751 | teknoware.com | emexit@teknoware.com



Emergency lighting for escape routes (ceiling mounting)

Table of 1 lux for escape routes in the middle line according to the norm EN 1838.

Level of measurement 0,02 m, measurement result with battery operation.



R1 distance from wall (X axis)

R2 installation distance between lights (X axis)

R4 distance from wall (Y axis)

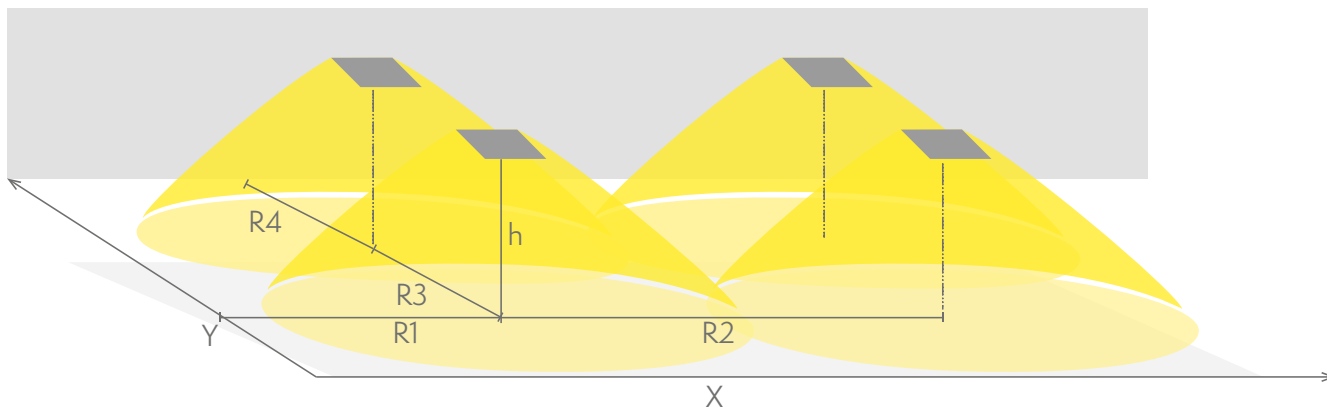
TWT9351WK

Mounting height (m)	Below the light lux	R1 (m)	R2 (m)	R4 (m)
		1 lux	1 lux	1 lux
2,5	25	2,5	6	2,5
4	9	3	8	3
6	4	4	9	4
8	2.5	4.5	11	4.5
10	1.5	3.5	11	3.5

Emergency lighting for open areas (ceiling mounting)

Table of 0,5 lux for open areas according to the norm EN 1838, 0,5 m edge district is considered in the table.

Level of measurement 0,02 m, measurement result with battery operation.



- R1 distance from wall (X axis)
- R2 installation distance between lights (X axis)
- R3 installation distance between lights (Y axis)
- R4 distance from wall (Y axis)

TWT9351WK

Mounting height (m)	Below the light lux	R1 (m)	R2 (m)	R3 (m)	R4 (m)
		0,5 lux	0,5 lux	0,5 lux	0,5 lux
2,5	25	3	5,5	5,5	3
4	9	3,5	6,5	6,5	3,5
6	4	4,5	8	8	4,5
8	2,5	5	9,5	9,5	5
10	1,5	5	10	10	5

OPTIONAL ACCESSORIES:

SHOCK PROTECTING COVERS FOR EMERGENCY LIGHTS



Product Code	Product Name	Compatible Product Groups
TW77507B	Shock protecting cover TW77507B	ESC 10 Emergency Exit Lights, ESC 80 Emergency Exit Lights

OPTIONAL MOUNTING ACCESSORIES FOR EMERGENCY LIGHTS

We reserve the rights to make modifications without notice.
 Copyright © 2024 Teknoware. All rights reserved.
 Date: January 12, 2024 | Source:
www.teknoware.com/en/zonespot-ii-midbay-emergency-light-twt9351wk



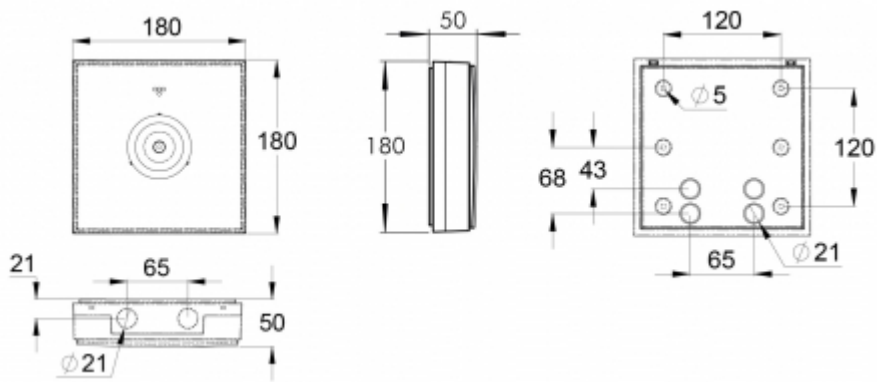
Teknoware Oy | P.O. Box 19, 15101 Lahti | Ilmarisentie 8, 15200 Lahti Finland
 Tel +358 3 883 020 | VAT-number FI01494751 | teknoware.com | emexit@teknoware.com

Product Code	Product Name	Compatible Product Groups
TWT9202	Wall bracket TWT9202	Linespot II: Lowbay, Surface-Mounted Emergency Lights, Zonespot II: Lowbay, Surface-Mounted Emergency Lights, Zonespot II: Midbay, Surface-Mounted Emergency Lights, Safe 29 Emergency Lights, Linespot II: Midbay, Surface-Mounted Emergency Lights, Zonespot II: Highbay, Surface-Mounted Emergency Lights
TW77504F	Suspension bracket TW77504F	Linespot II: Lowbay, Surface-Mounted Emergency Lights, Zonespot II: Lowbay, Surface-Mounted Emergency Lights, Zonespot II: Midbay, Surface-Mounted Emergency Lights, Linespot II: Midbay, Surface-Mounted Emergency Lights, Zonespot II: Highbay, Surface-Mounted Emergency Lights

We reserve the rights to make modifications without notice.
 Copyright © 2024 Teknoware. All rights reserved.
 Date: January 12, 2024 | Source:
www.teknoware.com/en/zonespot-ii-midbay-emergency-light-twt9351wk

Teknoware Oy | P.O. Box 19, 15101 Lahti | Ilmarisentie 8, 15200 Lahti Finland
 Tel +358 3 883 020 | VAT-number FI01494751 | teknoware.com | emexit@teknoware.com





We reserve the rights to make modifications without notice.
 Copyright © 2024 Teknoware. All rights reserved.
 Date: January 12, 2024 | Source:
www.teknoware.com/en/zonespot-ii-midbay-emergency-light-twt9351wk

Teknoware Oy | P.O. Box 19, 15101 Lahti | Ilmarisentie 8, 15200 Lahti Finland
 Tel +358 3 883 020 | VAT-number FI01494751 | teknoware.com | emexit@teknoware.com

