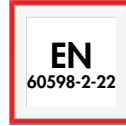
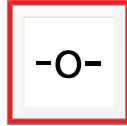


TWX9251WK

ZONESPOT II Lowbay Emergency Lighting



Check Youtube for installation video

SYSTEM DESCRIPTION:



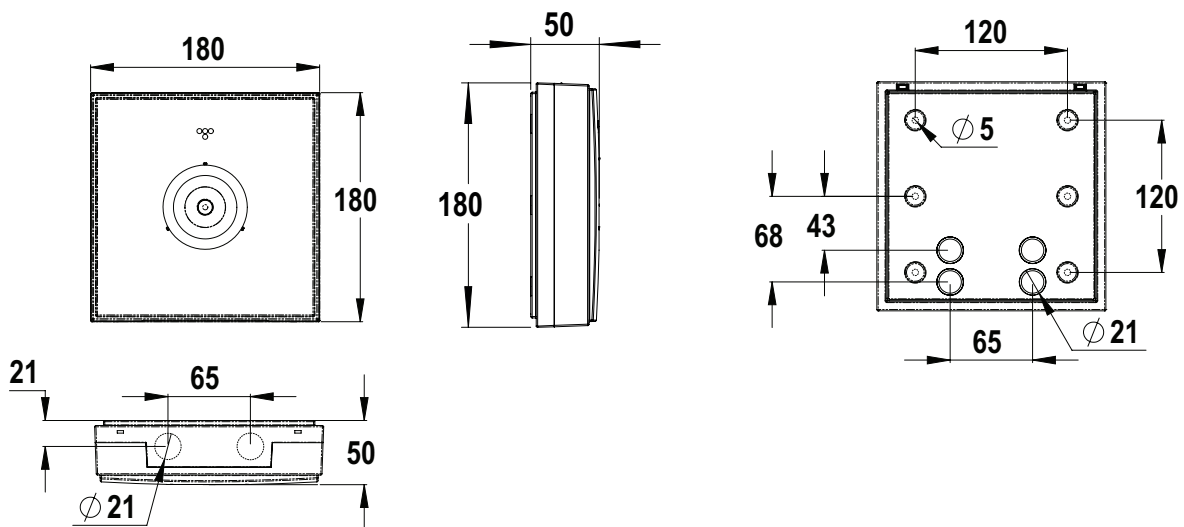
Zonespot II Lowbay is an emergency light for 2-4 meter high open spaces. It is surface mounted, easy and fast to install thanks to a separate mounting base, into which the power supply is connected.

Zonespot II Lowbay takes advantage of the latest LED technology. and the optics are designed to provide a broad, uniform lighting pattern, which illuminates the open areas effectively. Thanks to the IP44 enclosure class, Zonespot II also suitable for damp locations.

KEY FEATURES

- Uses the latest LED technology
- Easy to install thanks to a separate mounting plates
- Can be used on ceilings where heights range from 2-4M
- Splash proof and suitable for installation in damp areas
- Optics designed to provide a broad, uniform lighting pattern

DIMENSIONS:



TWX9251WK

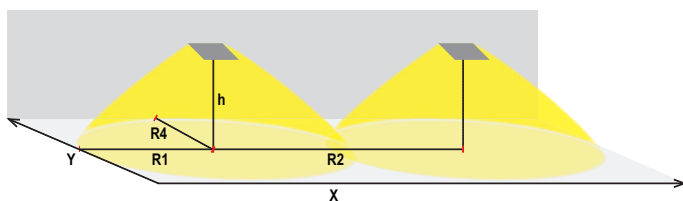
ZONESPOT II Lowbay Emergency Lighting

Product Code	Nominal Supply Voltage	Maximum Input Power	Luminous Flux (lm)	Operation Mode	Temperature Range	Electrical Installation	Weight (kg)
TWX9251WK	220-240V, 50/60 Hz AC/DC	10VA/5.5W	255	CBS / C +IC	-30...+50°C	3 x 2.5 mm ² -0-	0.5

LIGHT DISTRIBUTION TABLES

Emergency Lighting for escape routes (ceiling mounted)

- Table of 1 lux for escape routes in the middle line according to the norm EN1838
- Level of measurement 0.02m, measurement result with battery operation



- R1 distance from wall (X Axis)
- R2 installation distance between lights (X Axis)
- R4 distance from wall (Y Axis)

TWX9251WK

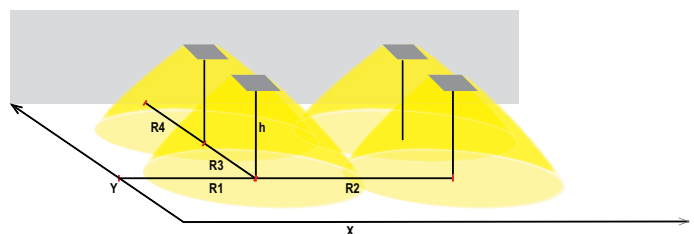
Mounting height (m)	Below the light (lux)	R1 (m)	R2 (m)	R4 (m)
		1 lux	1 lux	1 lux
2.5	4.3	5	11	5
4	1.7	4	14	4

ACCESSORIES

Product Code	Product Description
TW77507B	Shock protecting cover (Dimensions X=320, Y=165, Z=305, A=340)
TW77504F	Suspension Bracket

Emergency Lighting for open areas (ceiling mounted)

- Table of 0.5 lux for open areas according to the norm EN1838. 0.5m edge district is considered in this table.
- Level of measurement 0.02m, measurement result with battery operation.



- R1 distance from wall (X Axis)
- R2 installation distance between lights (X Axis)
- R3 installation distance between lights (Y Axis)
- R4 distance from wall (Y Axis)

TWX9251WK

Mounting height (m)	Below the light (lux)	R1 (m)	R2 (m)	R3(m)	R4 (m)
		0.5 lux	0.5 lux	0.5 lux	0.5 lux
2.5	4.3	5.5	10	10	5.5
4	1.7	6	11	11	6