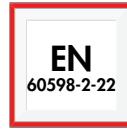
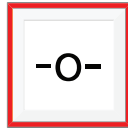
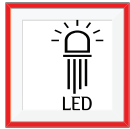


TWX9351WK

ZONESPOT II Midbay Emergency Lighting



Check Youtube for installation video

SYSTEM DESCRIPTION:



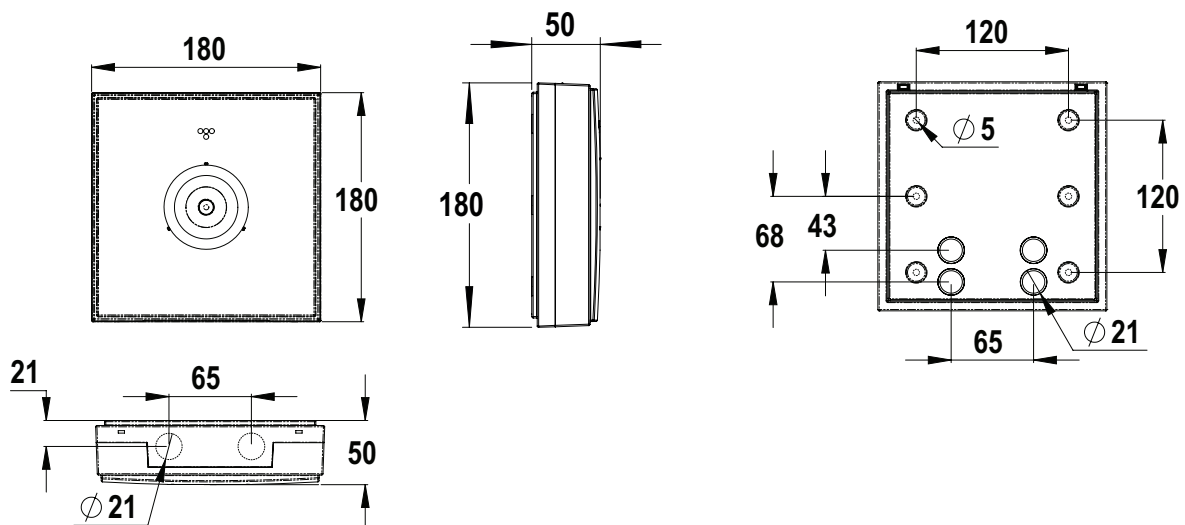
Teknolux's Zonespot II Midbay is a surface mounted emergency light for open areas and is suitable for areas with 2-8 meter height. Zonespot II Midbay is easy and fast to install thanks to a separate mounting base, into which the power supply is also connected.

Zonespot II Midbay takes advantage of the latest LED technology. Its optics are designed to provide a broad, uniform lighting pattern, which illuminates the open areas effectively. Zonespot II is also suitable for damp locations.

KEY FEATURES

- Surface mounted emergency light for open areas
- Suitable for areas with 2-8 meter height
- A separate mounting base make installation a breeze
- Optics designed to provide broad and uniform lighting pattern
- Suitable for damp locations

DIMENSIONS:



TWX9351WK

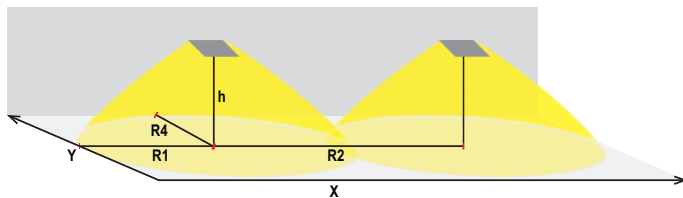
ZONESPOT II Midbay Emergency Lighting

Product Code	Nominal Supply Voltage	Maximum Input Power	Luminous Flux (lm)	Operation Mode	Temperature Range	Electrical Installation	Weight (kg)
TWX9351WK	220-240V, 50/60 Hz AC/DC	10VA/5.5W	230	CBS / C +IC	-30...+50°C	2/3 x 2.5 mm ² -0-	0.5

LIGHT DISTRIBUTION TABLES

Emergency Lighting for escape routes (ceiling mounted)

- Table of 1 lux for escape routes in the middle line according to the norm EN1838
- Level of measurement 0.02m, measurement result with battery operation



- R1 distance from wall (X Axis)
- R2 installation distance between lights (X Axis)
- R4 distance from wall (Y Axis)

TWX9351WK

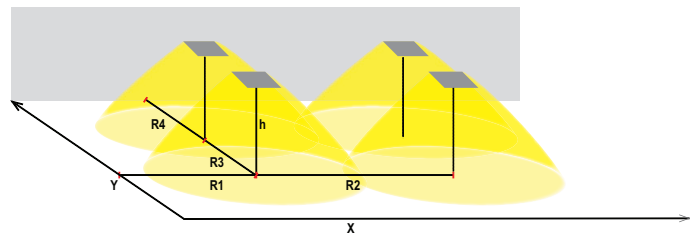
Mounting height (m)	Below the light (lux)	R1 (m)	R2 (m)	R4 (m)
		1 lux	1 lux	1 lux
2.5	18	2.5	6	2.5
4	8	3	7.5	3
6	3.5	4	9	4
8	2	5	11	5

ACCESSORIES

Product Code	Product Description
TW77507B	Shock protecting cover (Dimensions X=320, Y=165, Z=305, A=340)
TW77504F	Suspension Bracket

Emergency Lighting for escape routes (ceiling mounted)

- Table of 0.5 lux for open areas according to the norm EN1838. 0.5m edge district is considered in this table.
- Level of measurement 0.02m, measurement result with battery operation.



- R1 distance from wall (X Axis)
- R2 installation distance between lights (X Axis)
- R3 installation distance between lights (Y Axis)
- R4 distance from wall (Y Axis)

TWX9351WK

Mounting height (m)	Below the light (lux)	R1 (m)	R2 (m)	R3(m)	R4 (m)
		0.5 lux	0.5 lux	0.5 lux	0.5 lux
2.5	18	3	5	5	3
4	8	3.5	6	6	3.5
6	3.5	4.5	8	8	4.5
8	2	5.5	10	10	5.5