



CEDAR ESC2081

| | |
|----------------------------|----------------------------|
| Supply Voltage | 220-240VAC 50-60Hz |
| Wattage | 8W |
| Battery Specifications | 6V 4.5Ah Lead Acid Battery |
| Light Source | 12pcs LED |
| Emergency Time | 3 hours |
| Charging Time | 24 hours |
| Emergency Mode | Maintained |
| Operating Temperature | -10°-45°C |
| Mounting Options | Wall Mount |
| Viewing Distance | 30m |
| Luminous Flux | 200lm |
| Color Temperature | 6000-6500k |
| IP Rating | IP44 |
| Material | Fire retardant ABS housing |
| Product dimensions (In mm) | 608.6x118.2x398.3 |



IP 44



Light Source
LED



UL
Listed



Recycle as
appropriate



-10°-45°C



3 hours

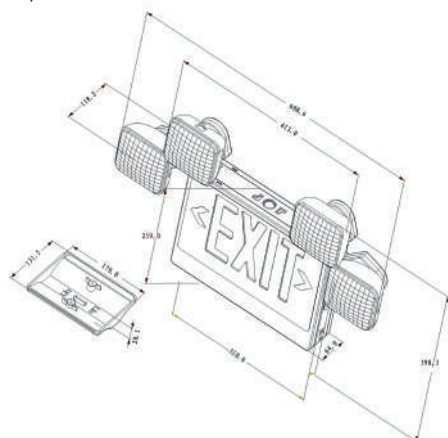
Key Features:

- Fire retardant ABS housing
- Innovative design, Universal mounting
- Uses highly active LED light source
- Long life
- Two fully adjustable square shaped light
- Rated to IP44

Ordering Codes:

ESC2081 (Square) -
Emergency & Exit luminaire, Wall Mount

Product Size: (L X W X H)



Specifications are subject to change without notice.

For further information, please contact:

Teknoware Middle East FZCO,

#601, 4WA, DAFZA, Dubai, United Arab Emirates.

Tel.: +971 4 299 3622 | Fax.: + 971 4 299 3623 | info@teknoware.ae