



## CEDAR ESC2084

Supply Voltage	220-240VAC   50-60Hz
Wattage	8W
Battery Specifications	6V 4.5Ah Lead Acid Battery
Light Source	12pcs LED
Emergency Time	3 hours
Charging Time	24 hours
Emergency Mode	Maintained
Operating Temperature	-10°-45°C
Mounting Options	Wall Mount
Viewing Distance	30m
Luminous Flux	200lm
Color Temperature	6000-6500k
IP Rating	IP44
Material	Fire retardant ABS housing
Product dimensions (In mm)	597x123.8x259



IP 44



Light Source  
LED



UL  
Listed



Recycle as  
appropriate



-10°-45°C



3 hours

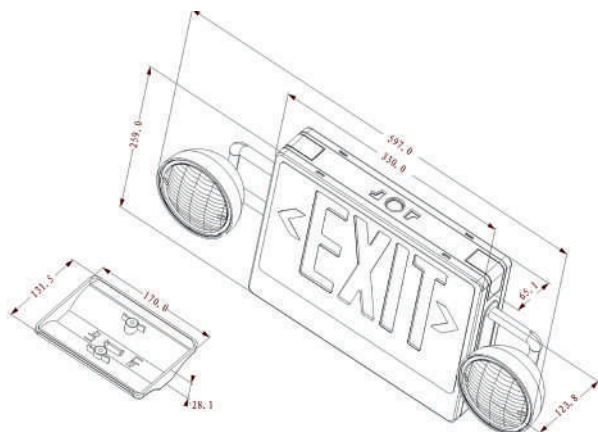
### Key Features:

- Fire retardant ABS housing
- Innovative design,
- Universal mounting
- Uses highly active LED light source
- Long life
- Rated to IP44

### Ordering Codes:

ESC2084 (Round) -  
Emergency & Exit luminaire, Wall Mount

Product Size: (L X W X H)



Specifications are subject to change without notice.

For further information, please contact:

Teknoware Middle East FZCO,

#601, 4WA, DAFZA, Dubai, United Arab Emirates.

Tel.: +971 4 299 3622 | Fax.: + 971 4 299 3623 | info@teknoware.ae