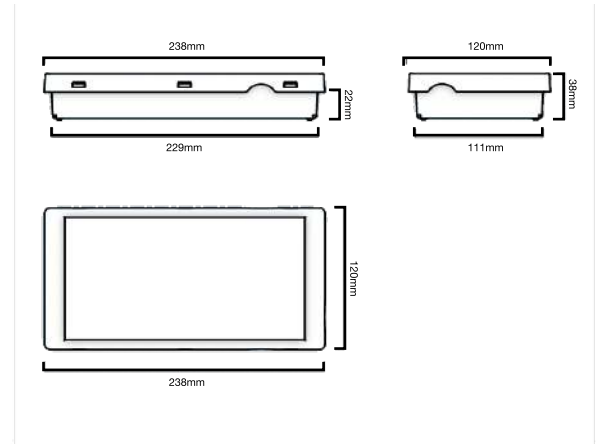


AURA-Emergency



Dimensions



LED



325
Lumens

Emergency Luminaire

Key features:

- Easy to install & maintain
- Smart Charge technology
- Efficient and reliable LED light source
- Maintained or non-maintained operation
- 3 hours emergency duration
- Suitable for warehouse, driveway areas
- Surface recess mounting option
- Smart charge technology
- Resistant to dust & water

Order codes

Order code	Description
ESC0811L- SCEM	- AURA Emergency
ESCO0811L - SCEMR	- AURA Emergency (recessed)
ESC0811L- SMEM	- AURA Emergency
ESCO0811L - SMEMR	- AURA Emergency (recessed)

Specification

Rated supply voltage	: 220 - 240 V
Supply frequency	: 50/60 Hz
Supply current (max)	: 30 mA
Power factor	: 0.63
Total circuit power	: 0.2 - 4.6 W
Ambient temperature (ta)	: 0°C to +35°C
Ingress protection	: IP65
Protection class	: Class II
Luminous flux	: 325 lm**
CCT	: 5700K
Emergency duration	: 3 hours
Recharge period	: 24 hours
Battery	: rechargeable NiMH