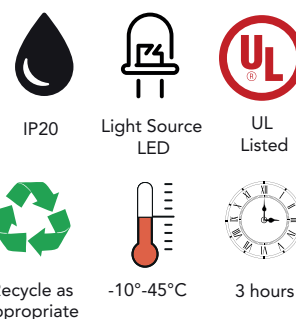
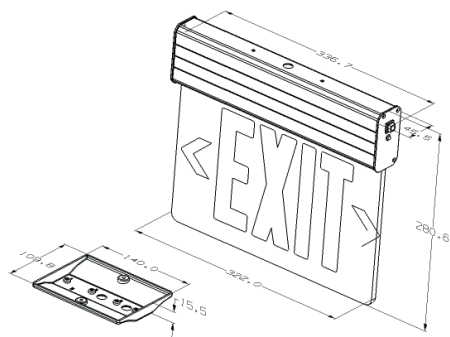




SATIN ESC0135

| | |
|----------------------------|---|
| Supply Voltage | 220-240VAC 50-60Hz |
| Wattage | 5W |
| Battery Specifications | 4.8V 6.5Ah Ni-Cad Battery |
| Light Source | 12pcs LED |
| Emergency Time | 3 hours |
| Charging Time | 24 hours |
| Emergency Mode | Maintained |
| Operating Temperature | -10°-45°C |
| Mounting Options | Wall Mount/Ceiling Mount/ Flag Mount |
| Viewing Distance | 30m |
| Color Temperature | 6000-6500k |
| IP Rating | IP20 |
| Material | White aluminium alloy housing with acrylic glass pictogram |
| Product dimensions (In mm) | 336.7x45.5x280.8 |

Product Size: (L X W X H)



Key Features:

- White Aluminium Alloy housing with acrylic glass with running man & directional arrow
- Uses highly active LED light source
- Long life
- Innovative design, Universal mounting
- Rated to IP20

Ordering Codes:

ESC0135 -
Exit luminaire, Wall/Ceiling/Flag Mount

Specifications are subject to change without notice.

For further information, please contact:

Teknoware Middle East FZCO,

#601, 4WA, DAFZA, Dubai, United Arab Emirates.

Tel.: +971 4 299 3622 | Fax.: + 971 4 299 3623 | info@teknoware.ae